



AbileneMachine[®]
Ag Replacement Parts

COTTON PICKER PARTS FOR JOHN DEERE[®] & CASE IH[®]

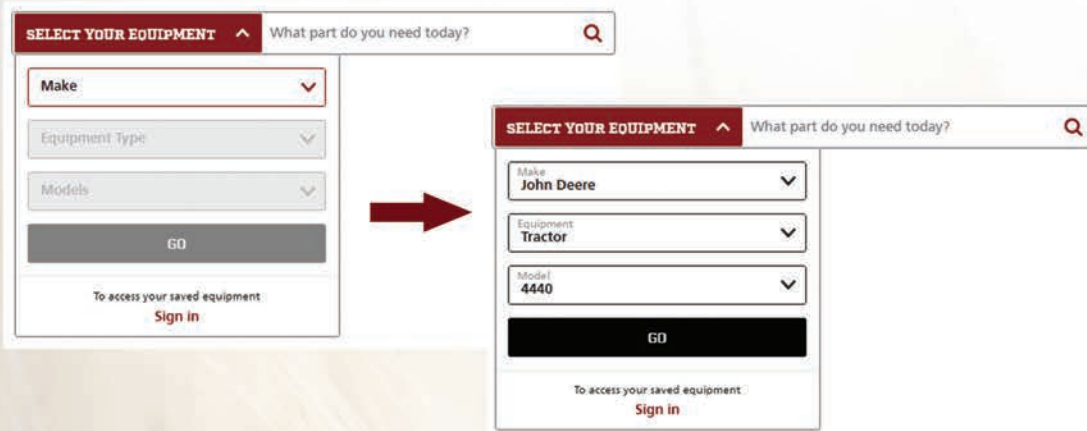


AbileneMachine.com

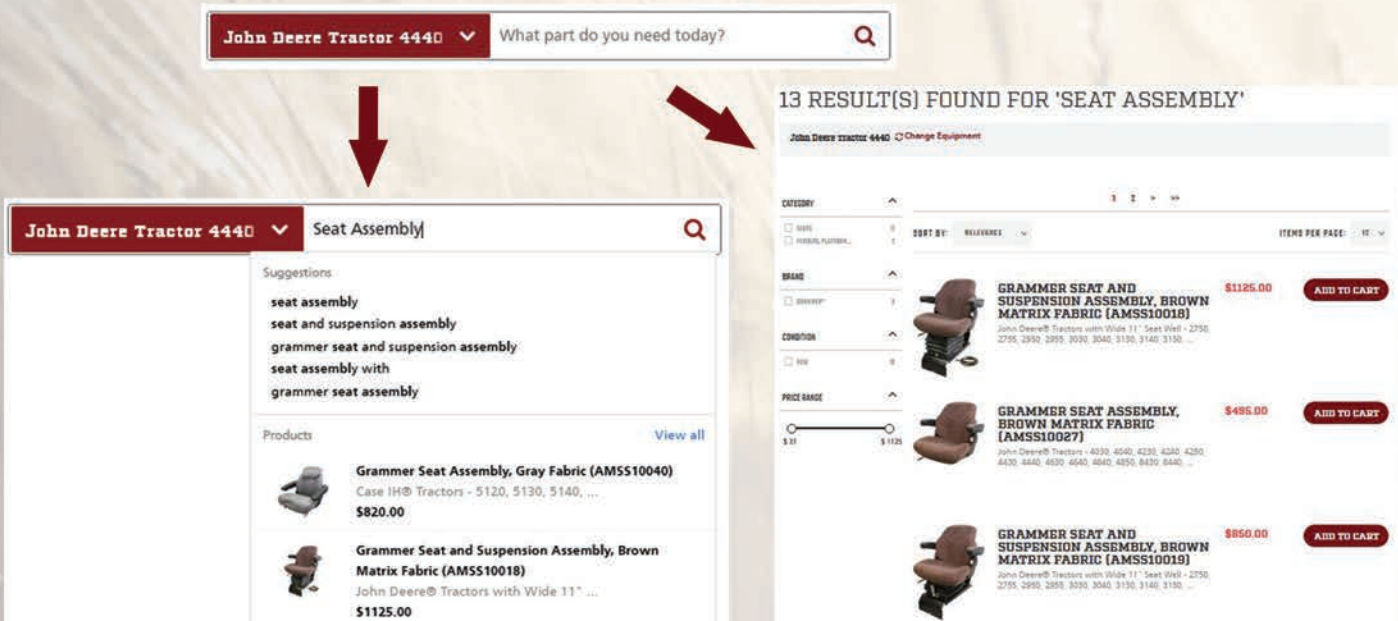
NEW My Shed Feature on AbileneMachine.com

A new way to narrow down your parts search geared specifically to your equipment

Select the make, equipment and model of your machine in the dropdown menus located at the top of the home page. Click the "Go" button.



With your equipment selected, enter the product you are searching for (or part number if you have it). Suggested results will be displayed, or press enter to go to a list of all product results for your machine.



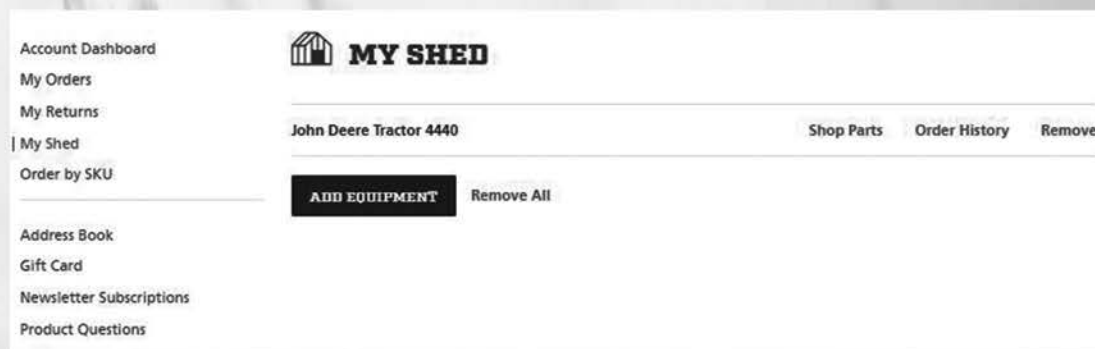
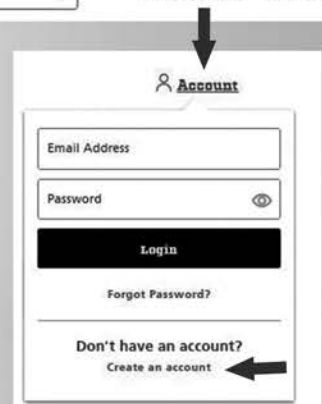
With the My Shed feature, your equipment selections can now be saved to your account to make future searching convenient and easy!

Once you create an account to access "My Shed," your equipment can be saved and you can also view past order history. This makes yearly maintenance easier and faster when it comes to getting the parts you need.

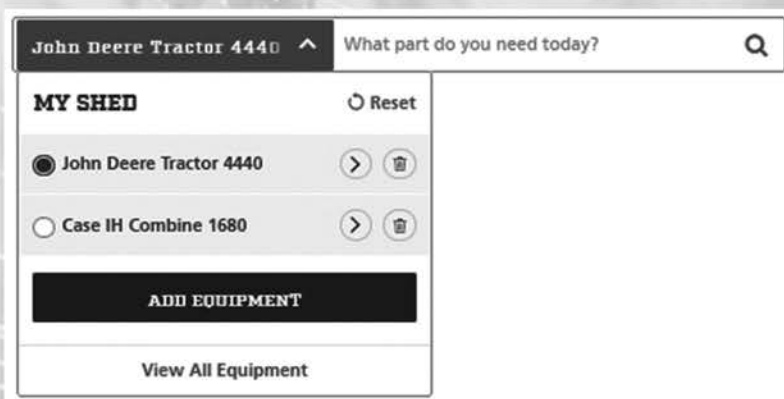
To create an account, select the Account icon to the right of the search bar and select "Create an account."



Follow the next screen to enter your information and create the account. If you made an equipment selection in the parts search, it will automatically be added to "My Shed" and will also be viewable on your Account Dashboard. Additional equipment can be added by clicking the "Add Equipment" button from either screen (prompts the dropdown menu at the top to open again) or by going directly to the parts search at the top of the page and making a new selection. When you hit "Go," this selection is automatically added to your shed.



Quickly switch between equipment in your Shed by clicking the dropdown menu at the top of the page and selecting between machines. The page will reload to that selection and is ready to search for the products you need. As a thank you for reading about our new My Shed program, please use the code MYSHED22 for a 5% discount on one order through December 31, 2022.



Abilene Machine LLC

Kansas & Montana: 800-255-0337

South Carolina: 800-543-2451

South Dakota: 844-340-4020

AbileneMachine.com

Cotton Picker Parts

Table of Contents

FOR JOHN DEERE®

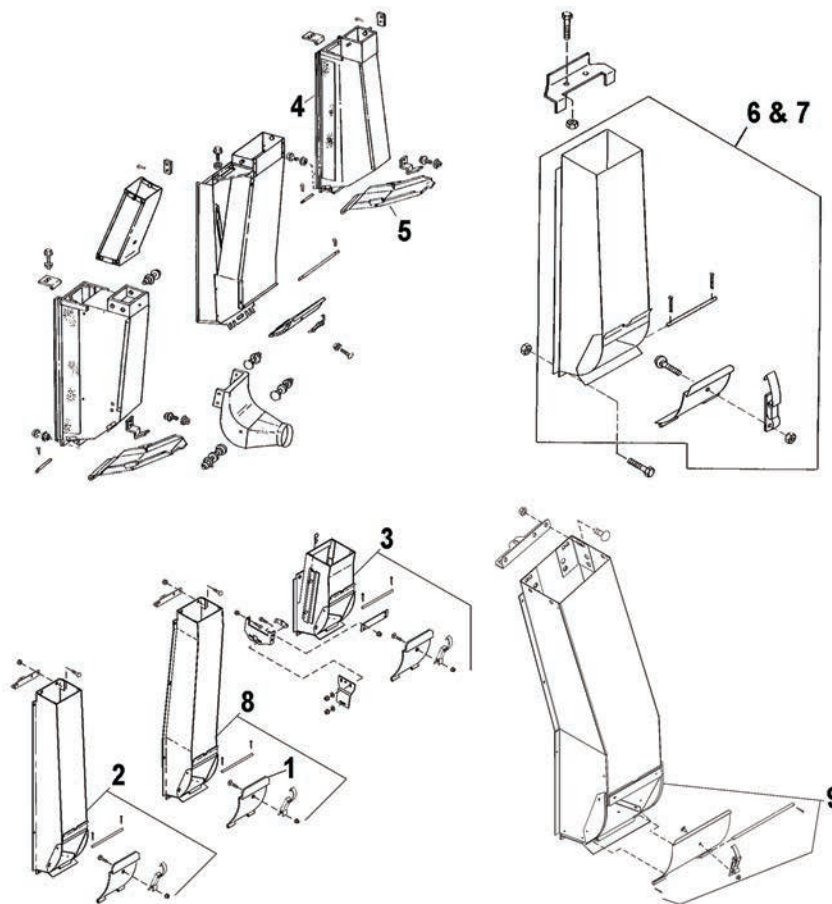
Air System.....	3-8
Air Tube.....	4
Cotton Door.....	3
Fan Housing.....	5
Fan Rotor.....	6
Inner Suction Door and Duct.....	7
Unit to Basket Duct.....	8
Basket.....	9-11
Basket Lid and Top.....	9
Basket Floors.....	9
Basket, LH Side.....	10
Lid Linkage Frame.....	10
Screen.....	11
Belting.....	45
Belts and Components.....	45
Hydraulic.....	42
Unit Lift Cylinder.....	42
Operator Station.....	38
Handrail and Ladder.....	38
Picking Unit Cabinet.....	12-22
Bottom Frame.....	12
Front Drum Pressure Plate.....	12
Grid Bars and Support.....	16
Height Sensing Linkage.....	16
Rear Drum Pressure Plate.....	14
Side Sheet and Panel.....	17
Stalk Lifter.....	18
Stalk Lifter Rods.....	18
Unit Door.....	20
Unit Drive Countershaft.....	21
Upper Housing.....	22
Picking Unit System.....	23-37
Doffer.....	23
Drum Slip Clutch and Idler Gear.....	25
Picker Bar.....	26
Picker Bar Drum.....	29
Picker Bar Head.....	30
Picker Bar Spindle Drive Shaft.....	31
Picker Unit Gearbox.....	33
Upper Doffer Adjusting Housing.....	34
Upper Housing Drum Drive.....	36
Sheet Metal.....	39-41
Hydraulic Module Outer Panel.....	39
Plant Shield.....	40
Rear Hood.....	41
Side Screen.....	40
Water System.....	43-44
Spindle Moistener.....	43

FOR CASE IH®





Air System.....	46-49
Cotton Door.....	46
Fan Housing.....	47
Fan Rotor.....	48
Unit to Basket Duct.....	49
Hydraulic.....	56
Hydraulic Pump Mounting.....	56
Picking Unit Cabinet.....	50-52
Drum Pressure Plate.....	50
Grid Bars and Support.....	51
Stalk Lifter.....	51
Unit Door.....	52
Picking Unit System.....	53-55
Doffer.....	53
Picker Bar.....	54
Picker Bar Head.....	55
Water System.....	57
Spindle Moistener.....	57



The use of original equipment manufacturer (OEM) part numbers or trademarks, e.g. Case® and John Deere®, are for reference purposes only and for indicating product use and compatibility. Our company and the listed replacement parts contained herein are not sponsored, approved or manufactured by the OEM. All parts are New unless designated Reman in the description. For warranty terms and conditions and store operating policies, refer to our main replacement parts catalog.

Cotton Door

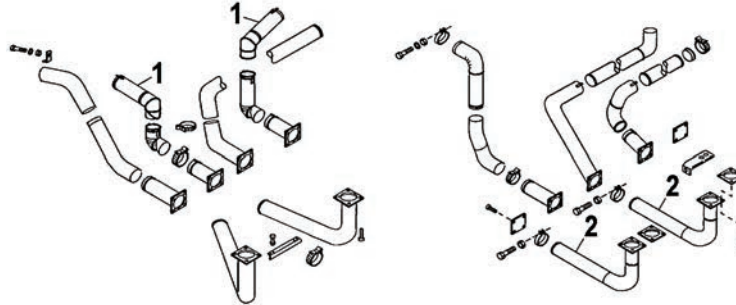


Illustrated: (Top, left to right) 9950, 9960/9965, (Bottom) 9986


	Application	No.	Part Number	Description	Price	Core
	7660, 7760, 9935, 9960, 9965, 9970, 9976, 9986, 9996, CP690 - Inline, Pro 12, Pro 16	1	AMN199131	Clean Out Door	\$ 18.00	
	7660, 7760, 9935, 9970, 9976, 9986, 9996, CP690 - Pro 12, Pro 16	2	AMAN276679	Suction Door, Straight	\$ 407.00	
	9940, 9950 - Conventional	4	AMAN114826	Suction Door, Rear, Right Hand	\$ 345.00	
			AMAN114827	Suction Door, Rear, Left Hand	\$ 345.00	
	9940, 9950, 9960, 9965 - Conventional	5	AMAN190589	Clean Out Door	\$ 35.00	
	9960 - Inline	6	AMAN195147	Suction Door, Offset	\$ 385.00	

	Application	No.	Part Number	Description	Price	Core
	9960, 9965 - Inline	7	AMAN272383	Suction Door, Straight	\$ 255.00	
	9960, 9965 - Inline	NI	AMAN193420	Suction Door, Straight	\$ 325.00	

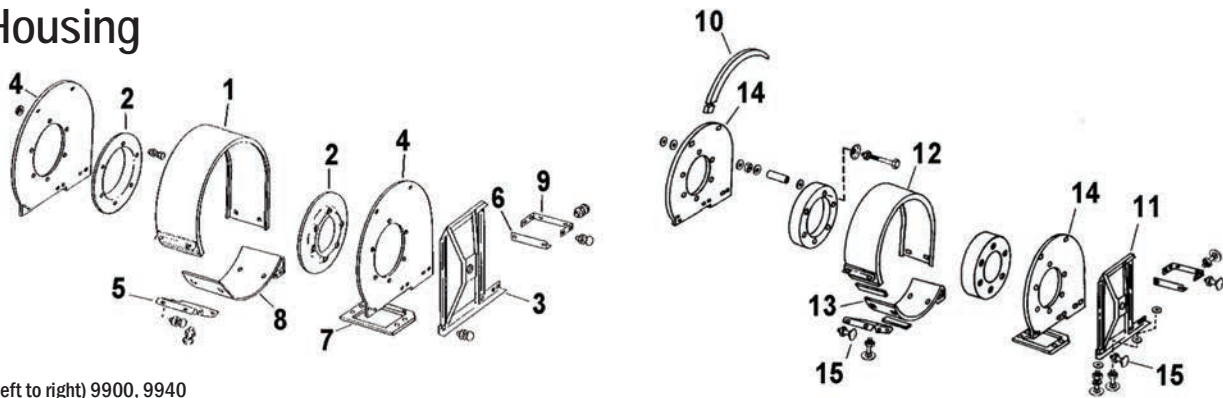
Air Tube




Illustrated: 9960


	Application	No.	Part Number	Description	Price	Core
	9960, 9965 - Conventional	1	AMAN194064	Air Duct, 7.00"	\$ 125.00	
	9960, 9965, 9970 - Inline, Pro 12, Pro 16	2	AMAN195110	Air Tube, Lower 6.00" Replaces AN193777	\$ 140.00	





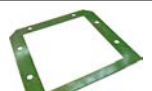



Fan Housing



Illustrated: (left to right) 9900, 9940




Assembly	Application	Part Number	Description	Price	Core
	9900, 9910, 9920, 9930 - 2 Row	AM07200	Bolt Kit	\$ 59.00	

	9940, 9950, 9960, 9965, 9970 - 4 Row	AM07400	Bolt Kit	\$ 115.00	
---	--------------------------------------	---------	----------	-----------	--

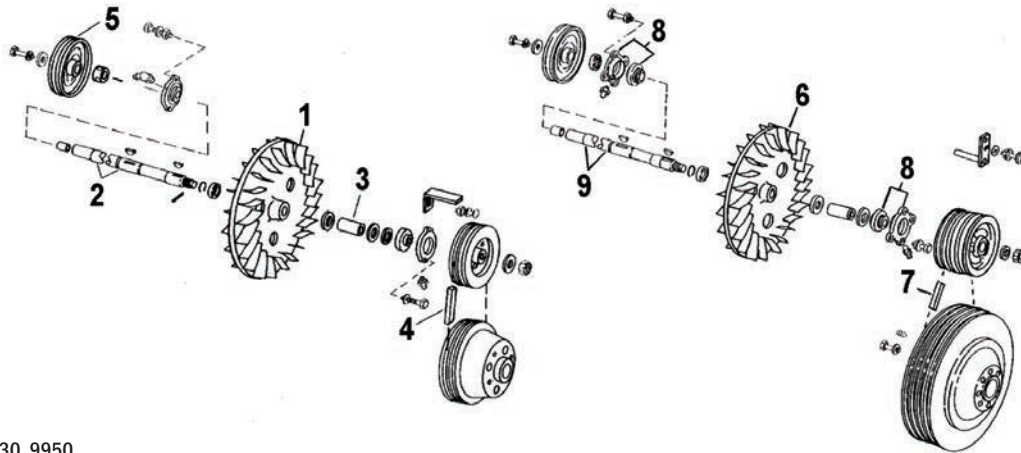
Parts	Application	No.	Part Number	Description	Price	Core
	484, 7440, 7445, 9900, 9910, 9920, 9930 - Conventional	1	AMAN220008	Housing Cover, Wrap Around	\$ 190.00	
	7445, 7450, 9900, 9910, 9920, 9930 - 2 Row	3	AMAN192732	Front Fan Housing Support	\$ 125.00	
			AMAN192733	Rear Fan Housing Support	\$ 125.00	
	484, 7440, 7445, 7450, 7455, 9900, 9910, 9920, 9930, 9935 - 2 Row	5	AMN114701	Fan Housing Channel, Lower	\$ 22.00	
	484, 7440, 7445, 7450, 7455, 9900, 9910, 9920, 9930, 9935 - 2 Row	6	AMN114702	Filler Angle	\$ 10.00	
	484, 7440, 7445, 7450, 7455, 9900, 9910, 9920, 9930, 9935 - 2 Row	7	AMN118257	Manifold Reinforcement	\$ 13.00	
	484, 7440, 7445, 7450, 7455, 7460, 9900, 9910, 9920, 9930, 9935 - 2 Row	9	AMN114700	Fan Housing Channel, Outlet	\$ 20.00	
	7445, 7450, 7455, 7460, 9935, 9940, 9950, 9960, 9965, 9970 - 4 Row	10	AMN192872	Foam Pad Isolator	\$ 2.50	
	9940, 9950, 9960, 9965, 9970 - 4 Row	11	AMAN193514	Front Fan Housing Support	\$ 135.00	
			AMAN193515	Rear Fan Housing Support	\$ 135.00	

John Deere® — Air System





The use of original equipment manufacturer (OEM) part numbers or trademarks, e.g. Case® and John Deere®, are for reference purposes only and for indicating product use and compatibility. Our company and the listed replacement parts contained herein are not sponsored, approved or manufactured by the OEM. All parts are New unless designated Reman in the description. For warranty terms and conditions and store operating policies, refer to our main replacement parts catalog.

Parts	Application	No.	Part Number	Description	Price	Core
	9940, 9950, 9960, 9965, 9970 - 4 Row	12	AMAN114674	Housing Cover, Wrap Around	\$ 160.00	
	9940, 9950, 9960, 9965, 9970 - 4 Row	13	AMAN114675	Fan Bottom Housing	\$ 50.00	
	9940, 9950, 9960, 9965, 9970 - 4 Row	14	AMN118515	Fan Housing Side Panel	\$ 75.00	
	9940, 9950, 9960, 9965, 9970 - 4 Row	15	AMN196088	Fan Baffle	\$ 87.00	

Fan Rotor







Illustrated: (left to right) 9930, 9950

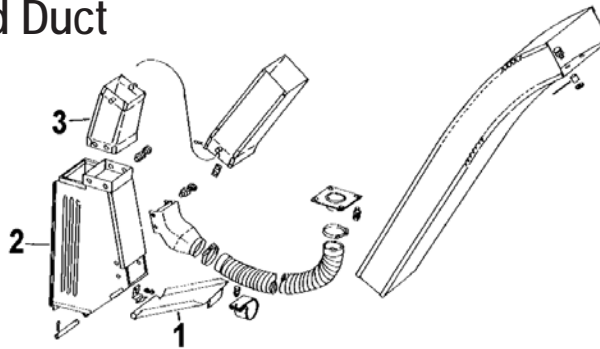
Assembly	Application	No.	Part Number	Description	Price	Core
	9950, 9960, 9965, 9970 - 4 Row		AMAN193804	Fan Shaft Repair Kit	\$ 130.00	
	484, 7440, 7445, 7450, 9900, 9910, 9920, 9930 - 2 Row	1	AMN119769	Fan Rotor 23 Blade	\$ 400.00	
	7440, 7445, 9920, 9930 - 2 Row	3	AMN193105	Fan Shaft Bushing	\$ 15.00	
	9900, 9910, 9920, 9930 - 2 Row	4	AMN129368	Fan Drive Belt	\$ 55.59	
	7660, 7760, 9910, 9920, 9930, 9935, 9940, 9950, 9960, 9965, 9970, 9976, 9986, 9996, CP690 - Conventional, Inline, Pro 12, Pro 16	5	AMN190049	Water Pump Pulley	\$ 82.00	

John Deere® — Air System

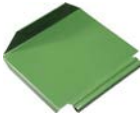

The use of original equipment manufacturer (OEM) part numbers or trademarks, e.g. Case® and John Deere®, are for reference purposes only and for indicating product use and compatibility. Otur company and the listed replacement parts contained herein are not sponsored, approved or manufactured by the OEM. All parts are New unless designated Reman in the description. For warranty terms and conditions and store operating policies, refer to our main replacement parts catalog.

	Application	No.	Part Number	Description	Price	Core
	9940, 9950, 9960, 9965, 9970 - 4 Row	6	AMN196676	Fan Rotor 17 Blade	\$ 425.00	
	9940, 9950, 9960, 9965, 9970 - 4 Row	7	AMN193822	Fan Drive Belt	\$ 90.37	
	484, 7440, 7445, 9900, 9910, 9920, 9930, 9940, 9950 - 2 Row	8	AMAN114202	Fan Shaft Bearing Assembly, 1 3/8" Includes Housing and Locking Collar	\$ 30.00	
	484, 9900 - Conventional	NI	AMAN112851	Fan Shaft Bearing Assembly, 1 1/8"	\$ 40.00	
	7450, 9935, 9965, 9970	NI	AMAN272297	Blower Fan Actuator Replaces AN276545	\$ 641.50	
	9976, 9986, 9996 - Pro 12, Pro 16	NI	AMN274995	Fan Drive Belt	\$ 109.00	

Inner Suction Door and Duct



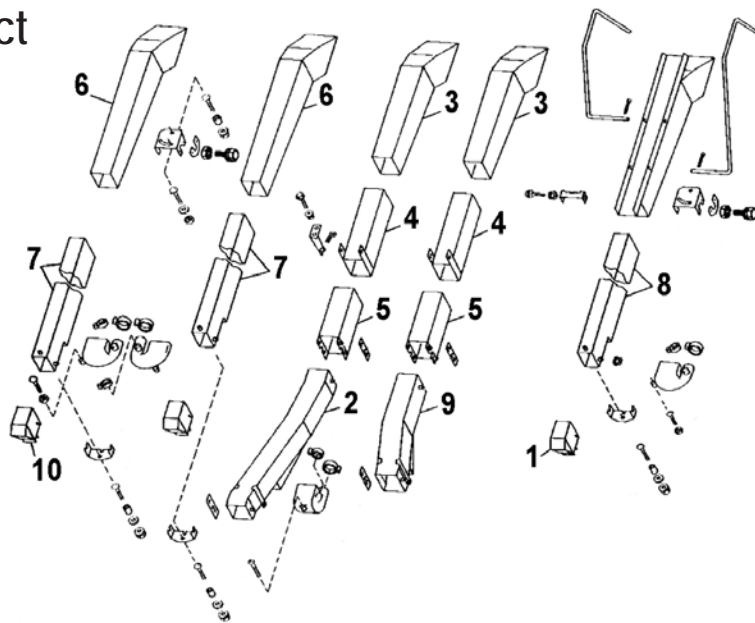
Illustrated: 9900

	Application	No.	Part Number	Description	Price	Core
	9900, 9910, 9920, 9930 - Conventional	1	AMN118875	Clean Out Door	\$ 23.00	
	9900, 9910, 9920, 9930 - Conventional	2	AMAN114216	Suction Door, Rear, Right Hand	\$ 260.00	
			AMAN114217	Suction Door, Rear, Left Hand	\$ 365.00	
	9900, 9910, 9920, 9930 - Conventional	3	AMAN192718	Transition Air Duct, Right Hand	\$ 103.00	
			AMAN192719	Transition Air Duct, Left Hand	\$ 103.00	











John Deere® — Air System

The use of original equipment manufacturer (OEM) part numbers or trademarks, e.g. Case® and John Deere®, are for reference purposes only and for indicating product use and compatibility. Our company and the listed replacement parts contained herein are not sponsored, approved or manufactured by the OEM. All parts are New unless designated Reman in the description. For warranty terms and conditions and store operating policies, refer to our main replacement parts catalog.

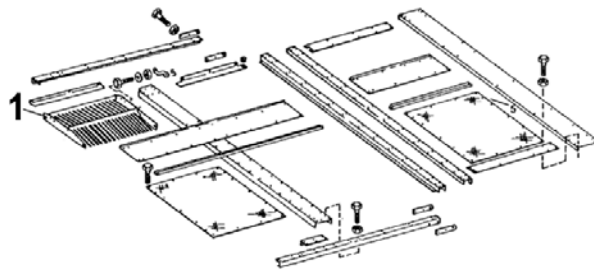
Unit to Basket Duct




Illustrated: 9965

	Application	No.	Part Number	Description	Price	Core
	7660, 7760, 9935, 9965, 9970, 9976, 9986, 9996, CP690 - Inline, Pro 12, Pro 16	1	AMAN272236	Air Duct, Lower	\$ 120.00	
	9960, 9965, 9970 - Inline	2	AMAN272389	Air Duct, Lower	\$ 275.00	
	9960, 9965, 9970 - Inline, Pro 12, Pro 16	3	AMAN193253	Air Duct, Upper	\$ 285.00	
	9960, 9965, 9970 - Inline, Pro 12, Pro 16	4	AMAN193581	Air Duct, Upper Middle	\$ 145.00	
	9960, 9965, 9970 - Inline, Pro 12, Pro 16	5	AMAN193580	Air Duct, Lower Middle	\$ 130.00	
	9965 - Inline	6	AMAN273269	Air Duct, Upper	\$ 275.00	
	9965 - Inline	7	AMAN272338	Air Duct, Middle, Right Hand	\$ 225.00	
	9965 - Inline	8	AMAN272339	Air Duct, Middle, Left Hand	\$ 225.00	
	9965, 9970 - Inline, Pro 12	9	AMAN272496	Air Duct, Lower	\$ 275.00	
	7660, 7760, 9965, 9970, 9976, 9986, 9996, CP690 - Inline, Pro 12, Pro 16	10	AMAN272239	Air Duct, Lower	\$ 135.00	
	9960 - Inline	NI	AMAN193398	Air Duct, Middle	\$ 195.00	

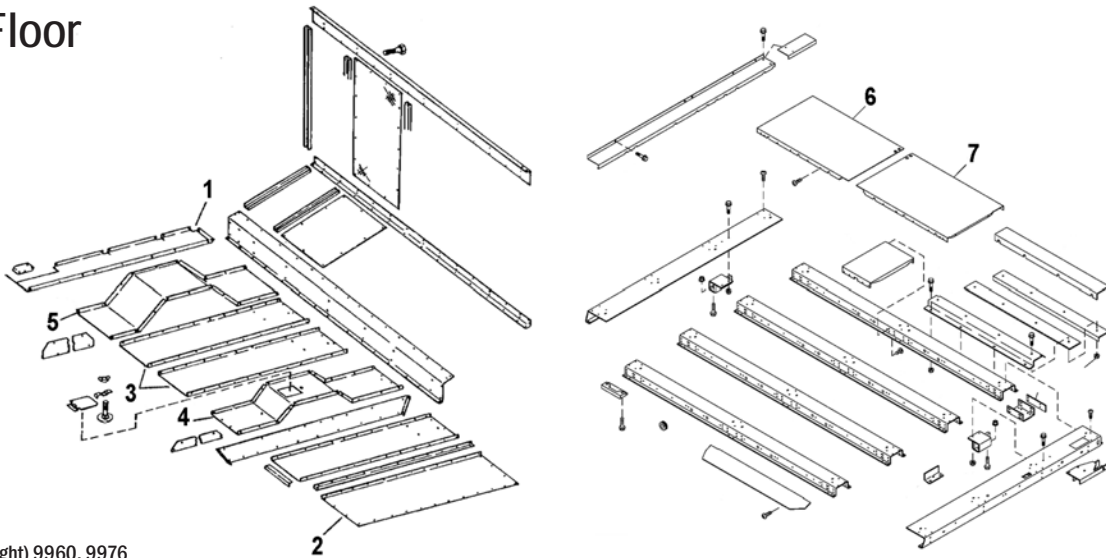
Basket Lid and Top








Illustrated: 9960

	Application	No.	Part Number	Description	Price	Core
	9960, 9965, 9970, 9976 - Inline, Pro 12, Pro 16	1	AMAN276456	Finger Grate Assembly	\$ 301.00	

Basket Floor

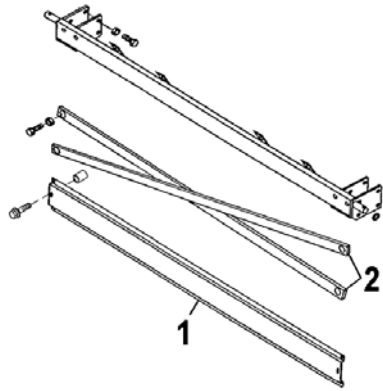


Illustrated: (left to right) 9960, 9976

	Application	No.	Part Number	Description	Price	Core
	9960, 9965, 9970 - Inline	1	AMN196304	Basket Floor Sheet	\$ 80.00	
	9960, 9965, 9970 - Inline	2	AMN196305	Basket Floor Sheet	\$ 95.00	
	9960, 9965, 9970 - Inline	3	AMN196306	Basket Floor Sheet	\$ 105.00	
	9960, 9965, 9970 - Inline	4	AMN196307	Front Basket Floor Panel	\$ 160.00	
	9960, 9965, 9970 - Inline	5	AMN196308	Rear Basket Floor Panel	\$ 155.00	

Application	No.	Part Number	Description	Price	Core
7660, 9976, 9986, 9996 - Pro 12, Pro 16	6	AMN276094	Front Floor Sheet	\$ 150.00	
7660, 9976, 9986, 9996 - Pro 12, Pro 16	7	AMN276095	Rear Floor Sheet	\$ 150.00	

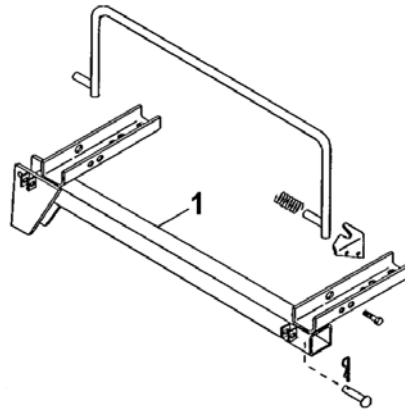
Basket, LH Side



Illustrated: 9970

Application	No.	Part Number	Description	Price	Core
9960, 9965, 9970 - Inline	1	AMN377310	Basket Side Channel	\$ 150.00	
9960, 9965, 9970 - Inline, Pro 12	2	AMN197911	Basket Side Strap	\$ 45.00	

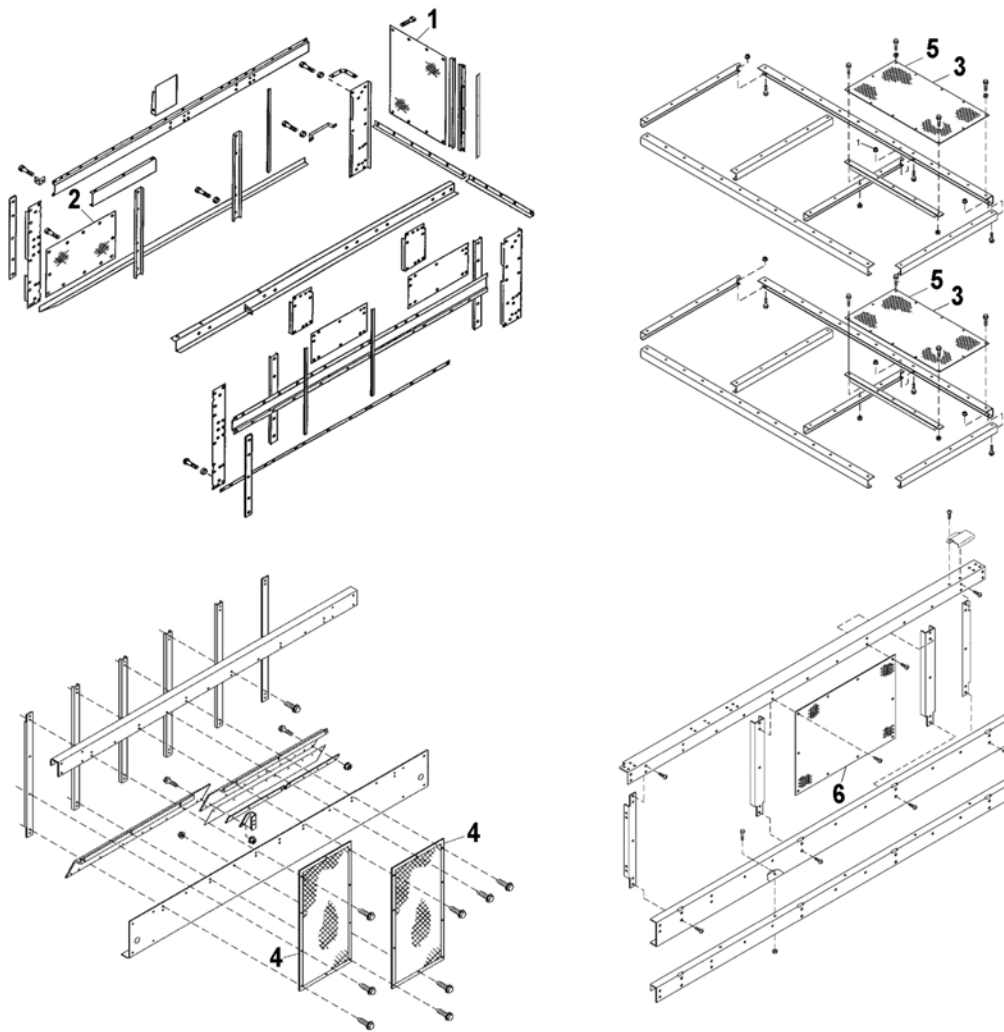
Lid Linkage Frame




Illustrated: 9960

Application	No.	Part Number	Description	Price	Core
9960, 9965, 9970 - Inline, Pro 12	1	AMAN195108	Front Lid Linkage Frame	\$ 250.00	

Screen



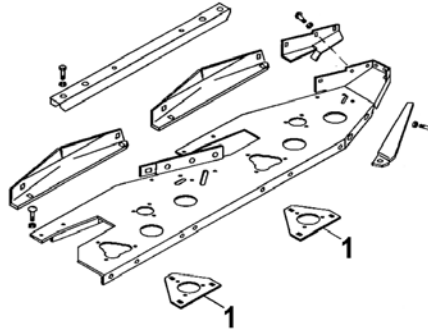
Illustrated: (Top, left to right) 9960, 9976, (Bottom, left to right) 9986, 9996

	Application	No.	Part Number	Description	Price	Core
	9960, 9965, 9970 - Inline, Pro 12	1	AMN196298	Rear Basket Screen, Right Hand	\$ 95.00	
	9960, 9965, 9970 - Inline, Pro 12	2	AMN196299	Basket Extension Side Screen	\$ 92.00	
	7660, 9976, 9986, 9996 - Pro 12, Pro 16	3	AMN279392	Front Basket Screen	\$ 77.00	
	7660, 9976, 9986, 9996 - Pro 12, Pro 16	4	AMN279393	Rear Basket Screen, Right Hand	\$ 77.00	
	7660, 9976, 9986, 9996 - Pro 12, Pro 16	5	AMN274000	Basket Extension Screen, Right Hand	\$ 63.00	
	7660, 9976, 9986, 9996 - Pro 12, Pro 16	6	AMN370279	Basket Extension Screen, Left Hand	\$ 67.00	
	7445, 7450, 9930, 9940, 9950, 9960, 9965, 9970 BSN 022001 - Conventional, Inline	NI	AMAN193440	Rear Screen Replaces AN190415	\$ 205.00	
	7660, 9976, 9986, 9996 - Pro 12, Pro 16	NI	AMN276160	Basket Lid Extension Screen	\$ 130.00	
	7660, 9976, 9986, 9996 - Pro 12, Pro 16	NI	AMN275986	Rear Basket Extension Screen	\$ 80.00	

John Deere® — Basket

The use of original equipment manufacturer (OEM) part numbers or trademarks, e.g. Case® and John Deere®, are for reference purposes only and for indicating product use and compatibility. Our company and the listed replacement parts contained herein are not sponsored, approved or manufactured by the OEM. All parts are New unless designated Reman in the description. For warranty terms and conditions and store operating policies, refer to our main replacement parts catalog.

Bottom Frame

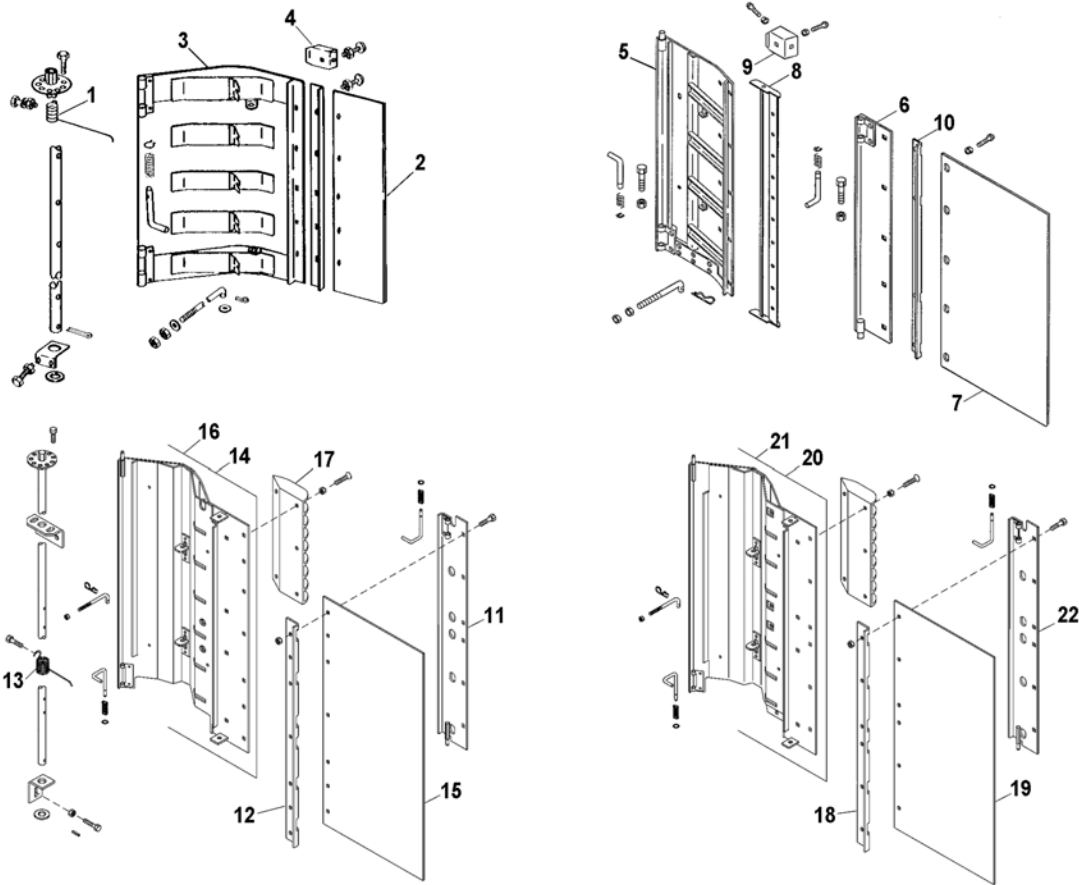


Illustrated: 9960

Application	No.	Part Number	Description	Price	Core
9910, 9920 ASN 381, 9930, 9935, 9940 ASN 737, 9950, 9960, 9965 - Conventional, Inline	1	AMN193795	Doffer Base Plate	\$ 11.00	



Front Drum Pressure Plate


















Illustrated: (Top, left to right) 9965 Conventional, 9965, (Bottom, left to right) 9976 Pro 12, 9976 Pro 16

Application	No.	Part Number	Description	Price	Core
7660, 7760, 9910, 9920, 9930, 9935, 9940, 9950, 9960, 9965, 9970, 9976, 9986, 9996, CP690 - Conventional, Inline, Pro 12, Pro 16	1	AMN190464	Torsion Spring, Right Hand	\$ 8.00	







John Deere® — Picking Unit Cabinet

The use of original equipment manufacturer (OEM) part numbers or trademarks, e.g. Case® and John Deere®, are for reference purposes only and for indicating product use and compatibility. Our company and the listed replacement parts contained herein are not sponsored, approved or manufactured by the OEM. All parts are New unless designated Reman in the description. For warranty terms and conditions and store operating policies, refer to our main replacement parts catalog.

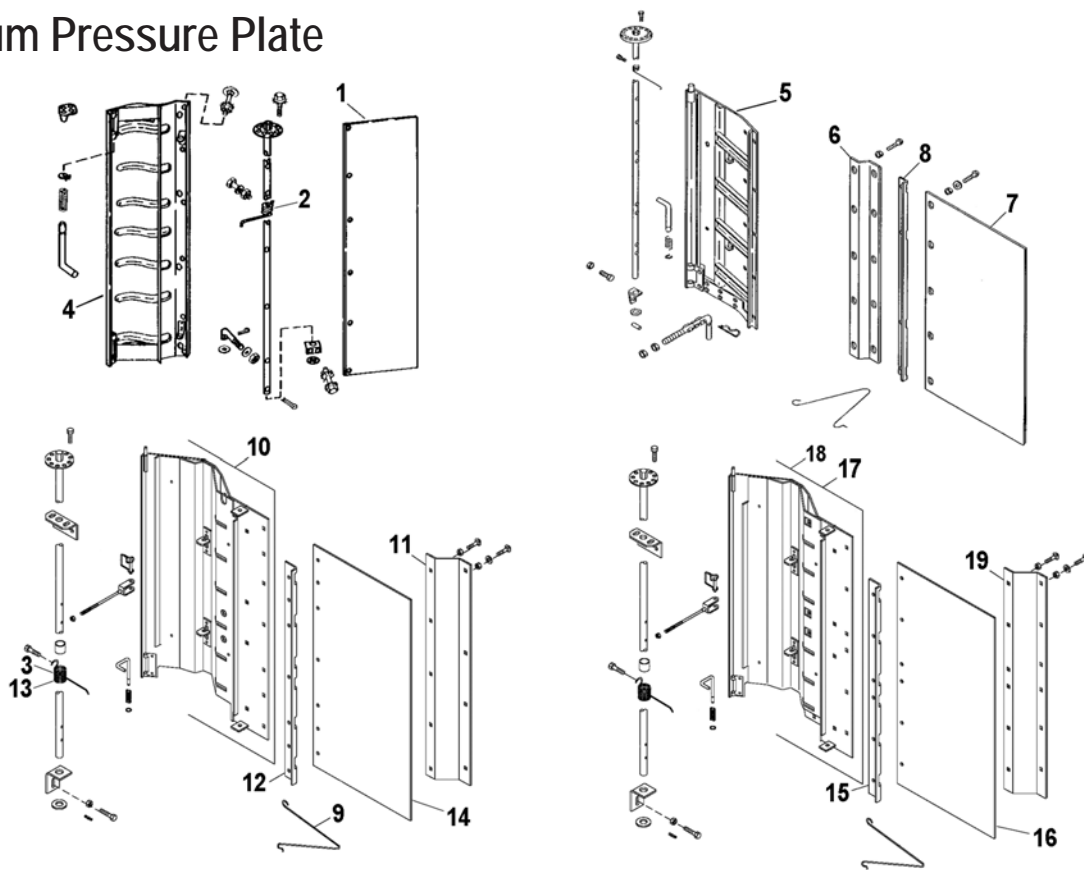
	Application	No.	Part Number	Description	Price	Core
	9900, 9910, 9920, 9930, 9940, 9950, 9960, 9965 - Conventional	2	AMN198494	Front Pressure Plate Extension, Plastic High Drum Replaces N118221	\$ 12.00	
	9920, 9930, 9940, 9950, 9960, 9965 - Conventional	3	AMAN190370	Front Pressure Plate	\$ 140.00	
	9920, 9930, 9940, 9950, 9960, 9965 - Conventional	4	AMN190424	Scrapping Plate	\$ 13.00	
	9935, 9960, 9965 - Inline	5	AMAN193029	Front Pressure Plate	\$ 135.00	
	9935, 9960, 9965 - Inline	6	AMAN193844	Front Pressure Plate Extension, Plastic	\$ 35.00	
	9935, 9960, 9965 - Inline	7	AMN196126	Front Pressure Plate Extension, Plastic	\$ 22.00	
	9935, 9960, 9965 - Inline	8	AMAN272810	Front Pressure Plate Support	\$ 42.00	
	9935, 9960, 9965 - Inline	9	AMN196767	Scrapping Plate	\$ 7.50	
	9935, 9960, 9965 - Inline	10	AMN198851	Angle	\$ 10.50	
	7660, 7760, 9935, 9970, 9976, 9986, 9996, CP690 - Pro 12	11	AMAN274542	Front Pressure Plate Extension	\$ 40.00	
	7660, 7760, 9935, 9970, 9976, 9986, 9996, CP690 - Pro 12	12	AMN278107	Pressure Plate Extension Angle	\$ 21.00	
	7660, 7760, 9935, 9970, 9976, 9986, 9996, CP690 - Pro 12, Pro 16	13	AMN276341	Torsion Spring, Middle and Top	\$ 9.00	
	7660, 7760, 9935, 9970, 9976, 9986, 9996, CP690 - Pro 12	14	AMAN279557	Front Pressure Plate	\$ 99.00	
	9935, 9976, 9986, 9996 - Pro 12	15	AMN278108	Front Pressure Plate Extension, Plastic	\$ 14.00	
	9976 - Pro 12 VRS	16	AMAN274587	Front Pressure Plate	\$ 230.00	
	7660, 7760, 9935, 9960, 9965, 9970, 9976, 9986, 9996, CP690 - Pro 12, Pro 16	17	AMN372970	Scrapping Plate, 10 Spindle	\$ 50.00	
	9976, 9986 - Pro 16	19	AMN274104	Front Pressure Plate Extension, Plastic	\$ 16.50	

John Deere® — Picking Unit Cabinet


The use of original equipment manufacturer (OEM) part numbers or trademarks, e.g. Case® and John Deere®, are for reference purposes only and for indicating product use and compatibility. Our company and the listed replacement parts contained herein are not sponsored, approved or manufactured by the OEM. All parts are New unless designated Reman in the description. For warranty terms and conditions and store operating policies, refer to our main replacement parts catalog.

	Application	No.	Part Number	Description	Price	Core
	7660, 7760, 9976, 9986 - Pro 16	20	AMAN274593	Front Pressure Plate	\$ 215.00	
	7760, 9976, 9986, 9996, CP690 - Pro 16	21	AMAN279558	Front Pressure Plate, Aggressive	\$ 99.00	
	7660, 7760, 9976, 9986, 9996, CP690 - Pro 16	22	AMAN272944	Front Pressure Plate Extension, Plastic	\$ 53.00	
	9900, 9910 - Conventional	NI	AMN119535	Scraping Plate	\$ 9.00	
	9910, 9920, 9930, 9935, 9940, 9950, 9960, 9965 - Conventional, Inline	NI	AMN190465	Torsion Spring, Left Hand	\$ 5.00	

Rear Drum Pressure Plate



Illustrated: (Top, left to right) 9930, 9960, (Bottom, left to right) 9976 Pro 12, 9986 Pro 16

	Application	No.	Part Number	Description	Price	Core
	9900, 9910, 9920, 9930, 9940, 9950, 9960, 9965 - Conventional	2	AMN190466	Torsion Spring, Right Hand	\$ 8.00	
			AMN190467	Torsion Spring, Left Hand	\$ 8.00	

John Deere® — Picking Unit Cabinet

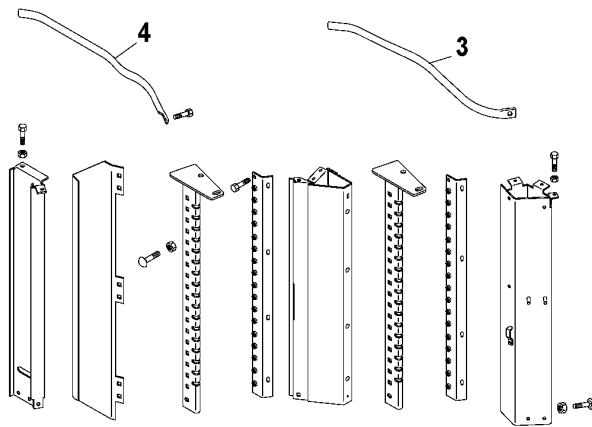
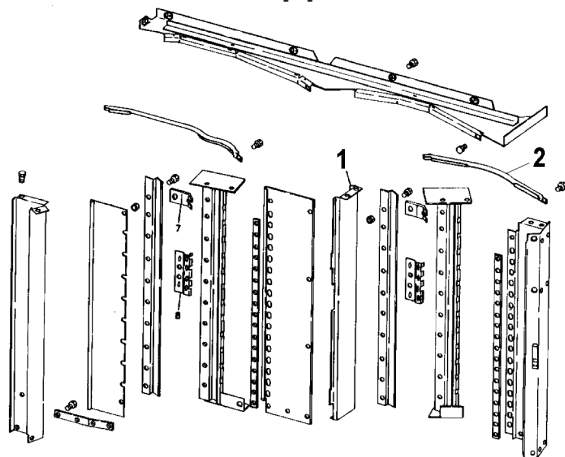
The use of original equipment manufacturer (OEM) part numbers or trademarks, e.g. Case® and John Deere®, are for reference purposes only and for indicating product use and compatibility. Otor company and the listed replacement parts contained herein are not sponsored, approved or manufactured by the OEM. All parts are New unless designated Reman in the description. For warranty terms and conditions and store operating policies, refer to our main replacement parts catalog.

	Application	No.	Part Number	Description	Price	Core
	7660, 7760, 9900, 9935, 9960, 9965, 9970, 9976, 9986, 9996 - Conventional, Inline, Pro 12, Pro 16	3	AMN190464	Torsion Spring, Right Hand	\$ 8.00	
			AMN190465	Torsion Spring, Left Hand	\$ 5.00	
	9930, 9950, 9960, 9965 - Conventional	4	AMAN192157	Rear Pressure Plate	\$ 120.00	
	9935, 9960, 9965 - Inline	5	AMAN193029	Rear Pressure Plate	\$ 135.00	
	9935, 9960, 9965 - Inline	6	AMN196120	Rear Pressure Plate Extension Plastic	\$ 27.00	
	9935, 9960, 9965 - Inline	7	AMN196126	Rear Pressure Plate Extension Plastic	\$ 22.00	
	9935, 9960, 9965 - Inline	8	AMN198851	Extension Clamp Angle	\$ 10.50	
	7660, 7760, 9935, 9960, 9965, 9970, 9976, 9986, 9996, CP690 - Inline, Pro 12, Pro 16	9	AMN198712	Reinforcement Spring	\$ 6.60	
	9935, 9970, 9976, 9986 - Pro 12 VRS	10	AMAN274587	Rear Pressure Plate	\$ 230.00	
	7660, 7760, 9935, 9970, 9976, 9986, 9996, CP690 - Pro 12	11	AMN278127	Rear Pressure Plate Extension	\$ 23.00	
	7660, 7760, 9935, 9970, 9976, 9986, 9996, CP690 - Pro 12	12	AMN278107	Rear Pressure Plate Extension Plastic	\$ 21.00	
	7660, 7760, 9935, 9970, 9976, 9986, 9996, CP690 - Pro 12, Pro 16	13	AMN276341	Torsion Spring, Middle and Top	\$ 9.00	
	9935, 9976, 9986, 9996 - Pro 12	14	AMN278108	Rear Pressure Plate Extension Plastic	\$ 14.00	
	9976, 9986 - Pro 16	16	AMN274104	Rear Pressure Plate Extension Plastic	\$ 16.50	
	7660, 7760, 9976, 9986 - Pro 16	17	AMAN274593	Rear Pressure Plate	\$ 215.00	
	7760, 9976, 9986, 9996, CP690 - Pro 16	18	AMAN279558	Front Pressure Plate, Aggressive	\$ 99.00	
	7660, 7760, 9976, 9986, 9996, CP690 - Pro 16	19	AMN274103	Rear Pressure Plate Extension Plastic	\$ 25.00	
	9900, 9910, 9920, 9940 - Conventional	NI	AMAN114977	Rear Pressure Plate, High Drum	\$ 110.00	
	9996 - Pro 12	NI	AMAN279557	Rear Pressure Plate	\$ 99.00	




John Deere® — Picking Unit Cabinet

The use of original equipment manufacturer (OEM) part numbers or trademarks, e.g. Case® and John Deere®, are for reference purposes only and for indicating product use and compatibility. Our company and the listed replacement parts contained herein are not sponsored, approved or manufactured by the OEM. All parts are New unless designated Reman in the description. For warranty terms and conditions and store operating policies, refer to our main replacement parts catalog.

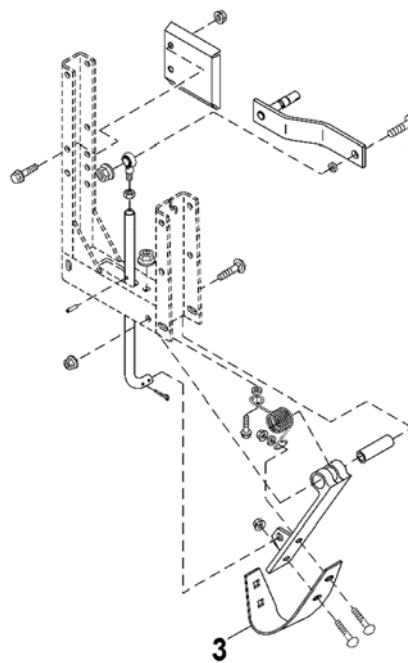
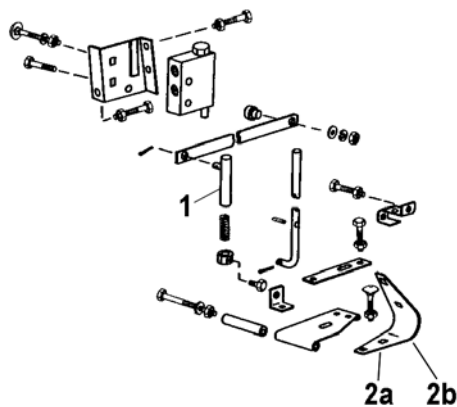
Grid Bars and Support




Illustrated: (left to right) 9935 Inline, 9935 Pro 12

	Application	No.	Part Number	Description	Price	Core
	9935, 9960, 9965 - Inline	1	AMN197055	Support Panel	\$ 75.00	
	9900, 9910, 9920, 9930, 9935 SN 0101-2000, 9940, 9950, 9960, 9965 - Conventional, Inline	2	AMN116513	Front Grid Bar, Aluminum	\$ 9.00	
	7660, 7760, 9935, 9970, 9976, 9986, 9996, CP690 - Pro 12, Pro 16	3	AMN277542	Front Grid Bar	\$ 7.50	
	7660, 7760, 9935, 9970, 9976, 9986, 9996, CP690 - Pro 12, Pro 16	4	AMN277543	Rear Grid Bar	\$ 5.50	

Height Sensing Linkage






Illustrated: (left to right) 9910, 9996

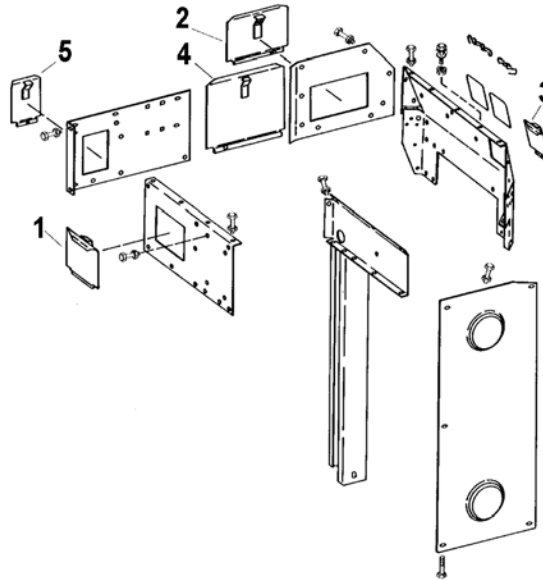
	Application	No.	Part Number	Description	Price	Core
	9910, 9920, 9930, 9940, 9950, 9960, 9965 - Conventional	1	AMAN190775	Height Sensor Pipe	\$ 15.00	

John Deere® — Picking Unit Cabinet






The use of original equipment manufacturer (OEM) part numbers or trademarks, e.g. Case® and John Deere®, are for reference purposes only and for indicating product use and compatibility. Our company and the listed replacement parts contained herein are not sponsored, approved or manufactured by the OEM. All parts are New unless designated Reman in the description. For warranty terms and conditions and store operating policies, refer to our main replacement parts catalog.

	Application	No.	Part Number	Description	Price	Core
	9910, 9920, 9930, 9935, 9940, 9950, 9960, 9965, 9970, 9976, 9986 BSN 18000 - Conventional, Inline, Pro 12, Pro 16	2a	AMN191622	Height Sensing Shoe, Steel	\$ 18.00	
	9910, 9920, 9930, 9935, 9940, 9950, 9960, 9965, 9970, 9976, 9986 BSN 18000 - Conventional, Inline, Pro 12, Pro 16	2b	AMX26000	Height Sensing Shoe, Poly Set of 2	\$ 26.00	
	7660, 7760, (9970, 9986 ASN 18001), 9996, CP690 - Pro 12, Pro 16	3	AMN377420	Height Sensing Shoe Extended Wear	\$ 15.00	

Side Sheet and Panel



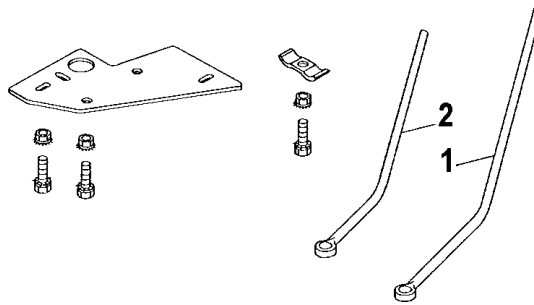
Illustrated: 9940

	Application	No.	Part Number	Description	Price	Core
	9900, 9910, 9920, 9930, 9940, 9950, 9960, 9965 - Conventional	1	AMAN112644	Front Inspection Cover	\$ 15.00	
	9900, 9910, 9920, 9930, 9940, 9950, 9960, 9965 - Conventional	2	AMAN112645	Side Inspection Cover	\$ 15.00	
	9920, 9930, 9940, 9950, 9960 - Conventional	3	AMAN190253	Front Inspection Cover	\$ 15.00	
	9940, 9950, 9960, 9965 - Conventional	5	AMAN115027	Side Inspection Cover	\$ 15.00	
	9940, 9950, 9960 - Conventional	NI	AMAN114682	Inspection Cover	\$ 15.00	



John Deere® — Picking Unit Cabinet

The use of original equipment manufacturer (OEM) part numbers or trademarks, e.g. Case® and John Deere®, are for reference purposes only and for indicating product use and compatibility. Our company and the listed replacement parts contained herein are not sponsored, approved or manufactured by the OEM. All parts are New unless designated Reman in the description. For warranty terms and conditions and store operating policies, refer to our main replacement parts catalog.

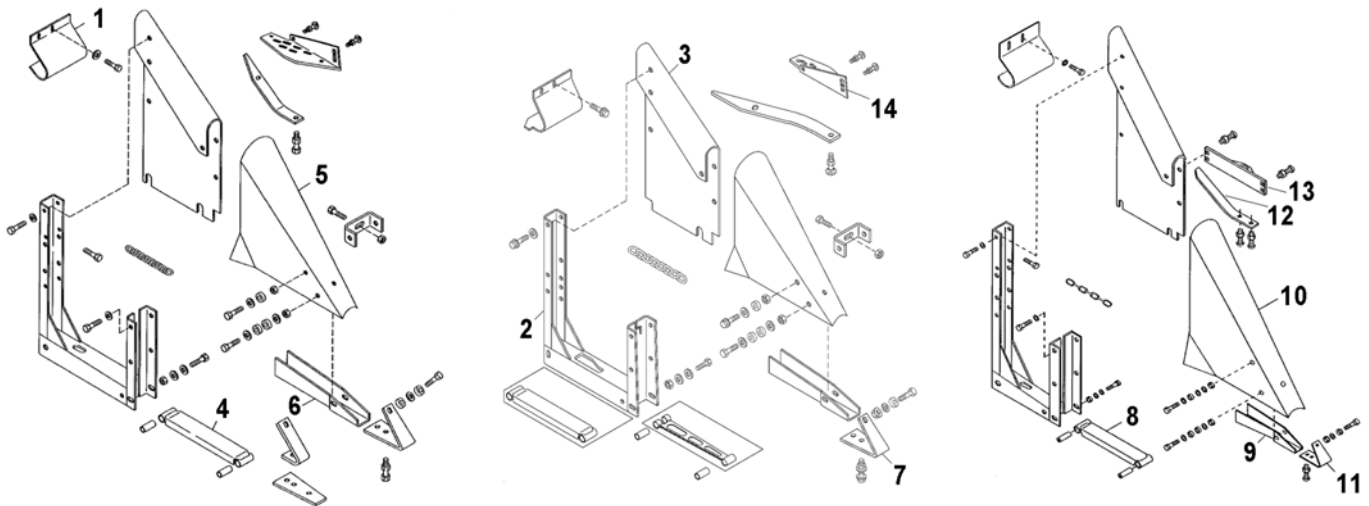
Stalk Lifter Rods






Illustrated: 9935

	Application	No.	Part Number	Description	Price	Core
	7660, 7760, 9920, 9930, 9935, 9940, 9950, 9960, 9965, 9970, 9976, 9986, 9996, CP690 - Conventional, Inline, Pro 12, Pro 16	1	AMN192708	Inner Guide, Right Hand	\$ 30.00	
			AMN192709	Inner Guide, Left Hand	\$ 30.00	
	7660, 7760, 9920, 9930, 9935, 9940, 9950, 9960, 9965, 9970, 9976, 9986, 9996, CP690 - Conventional, Inline, Pro 12, Pro 16	2	AMN192710	Outer Guide, Right Hand	\$ 25.00	
			AMN192711	Outer Guide, Left Hand	\$ 25.00	
	7660, 7760, 9970, 9996, CP690 - Pro 12, Pro 16	NI	AMN378882	Stalk Lifter Plate Replaces N272753	\$ 22.00	

Stalk Lifter













Illustrated: (left to right) 9935, 9996, 9960

	Application	No.	Part Number	Description	Price	Core
	9935, 9960, 9965 - Inline	1	AMN273573	Plant Guide	\$ 18.00	
	7660, 7760, 9935, 9960, 9965, 9970, 9976, 9986, 9996, CP690 - Inline, Pro 12, Pro 16	2	AMAN372159	Stalk Lifter Frame, Right Hand	\$ 125.00	
			AMAN372158	Stalk Lifter Frame, Left Hand	\$ 125.00	
	7660, 7760, 9935, 9960, 9965, 9970, 9976, 9986, 9996, CP690 - Inline, Pro 12, Pro 16	3	AMN372928	Stalk Lifter Upper Shield, Right Hand	\$ 90.00	
			AMN372929	Stalk Lifter Upper Shield, Left Hand	\$ 100.00	
	9935, 9965, 9970, 9976, 9986, 9996 - Inline, Pro 12, Pro 16	4	AMAN275226	Stalk Lifter Arm Replaces AN195199	\$ 22.50	

John Deere® — Picking Unit Cabinet

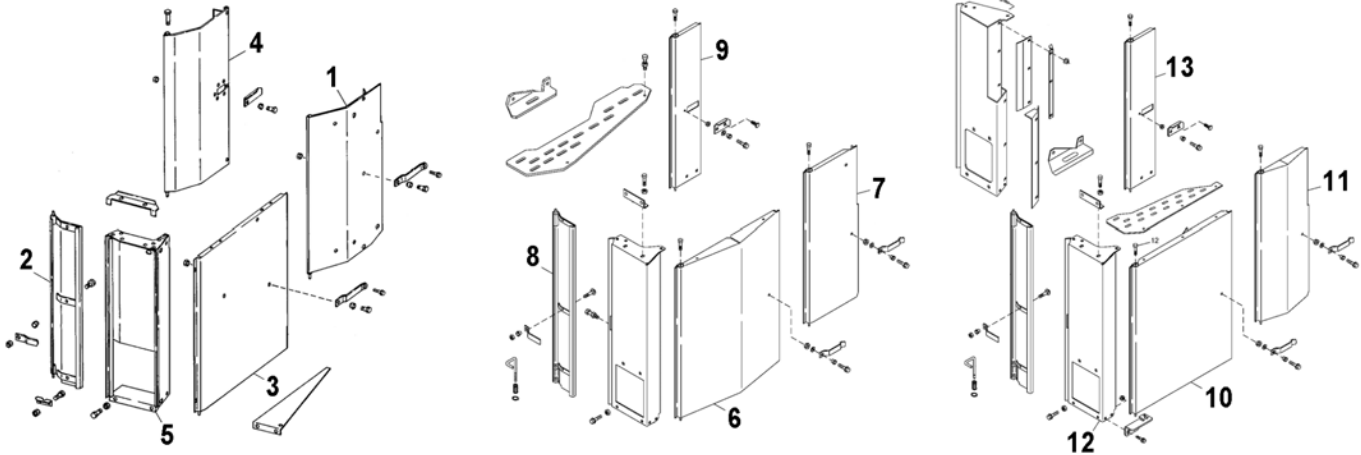
The use of original equipment manufacturer (OEM) part numbers or trademarks, e.g. Case® and John Deere®, are for reference purposes only and for indicating product use and compatibility. Our company and the listed replacement parts contained herein are not sponsored, approved or manufactured by the OEM. All parts are New unless designated Reman in the description. For warranty terms and conditions and store operating policies, refer to our main replacement parts catalog.

	Application	No.	Part Number	Description	Price	Core
	7660, 7760, 9935, 9965, 9970, 9976, 9986, 9996, CP690 - Inline, Pro 12, Pro 16	5	AMN199879	Stalk Lifter Lower Shield, Yellow Plastic	\$ 68.00	
	7660, 7760, 9935, 9965, 9970, 9976, 9986, 9996, CP690 - Inline, Pro 12, Pro 16	6	AMN199886	Stalk Lifter Shoe	\$ 33.00	
	7660, 7760, 9935, 9960, 9965, 9970, 9976, 9986, 9996, CP690 - Inline, Pro 12, Pro 16	7	AMN375594	Gatherer Point	\$ 16.00	
	9960 - Inline	8	AMAN193395	Stalk Lifter Arm	\$ 20.00	
	9960 - Inline	9	AMN196204	Stalk Lifter Shoe	\$ 16.00	
	9960 - Inline	10	AMN196205	Stalk Lifter Lower Shield, Metal	\$ 68.00	
	9960 - Inline	12	AMN197971	Stalk Lifter Guide	\$ 14.00	
	9960 - Inline	13	AMN198064	Stalk Lifter Guide Angle	\$ 15.00	
	7660, 7760, 9935, 9970, 9976, 9986, 9996, CP690 - Pro 12, Pro 16	14	AMN379096	Stalk Lifter Angle, Right Hand Replaces N273166, N372930	\$ 34.00	
			AMN379097	Stalk Lifter Angle, Left Hand Replaces N273224, N372931	\$ 30.00	
	7660, 7760, 9935, 9970, 9976, 9986, 9996, CP690 - Pro 12, Pro 16	14	AMN379098	Stalk Lifter Guide, Right Hand	\$ 18.00	
	7660, 7760, 9935, 9970, 9976, 9986, 9996, CP690 - Pro 12, Pro 16	14	AMN379099	Stalk Lifter Guide, Left Hand	\$ 18.00	
	7660, 7760, 9970, 9996, CP690 - Pro 12, Pro 16	NI	AMN373719	Stalk Guide Plate, Left Hand	\$ 16.00	






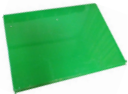

John Deere® — Picking Unit Cabinet

The use of original equipment manufacturer (OEM) part numbers or trademarks, e.g. Case® and John Deere®, are for reference purposes only and for indicating product use and compatibility. Our company and the listed replacement parts contained herein are not sponsored, approved or manufactured by the OEM. All parts are New unless designated Reman in the description. For warranty terms and conditions and store operating policies, refer to our main replacement parts catalog.

Unit Door



Illustrated: (left to right) 9935 Inline, 9935 Pro 12, 9976

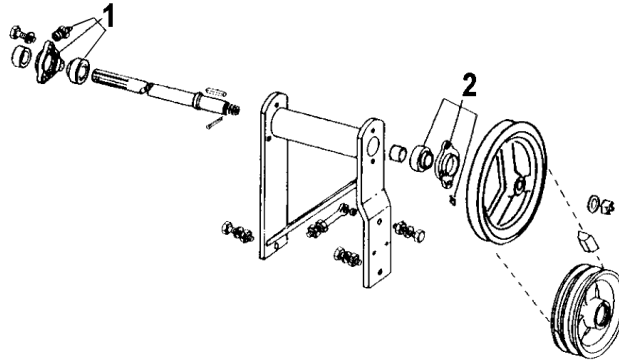
	Application	No.	Part Number	Description	Price	Core
	9935, 9960, 9965 - Inline	1	AMAN194682	Inspection Door, Front Moistener Column	\$ 150.00	
	9935, 9960, 9965 - Inline	2	AMAN193727	Rear Moistener Column Inspection Door	\$ 75.00	
	9935, 9960, 9965 - Inline	3	AMAN272683	Inspection Door	\$ 155.00	
	9935, 9960, 9965 - Inline	4	AMAN194684	Rear Inspection Door	\$ 150.00	
	9935, 9960, 9965 - Inline	5	AMAN193408	Rear Door Support	\$ 225.00	
	9935, 9970, 9976 - Pro 12	6	AMAN274523	Rear Door	\$ 225.00	
	9935, 9970, 9976, 9986, 9996 - Pro 12	7	AMAN274522	Front Door	\$ 175.00	
	7660, 7760, 9935, 9970, 9976, 9986, 9996, CP690 - Pro 12	8	AMAN274524	Door	\$ 170.00	
	7660, 7760, 9935, 9970, 9976, 9986, 9996, CP690 - Pro 12	9	AMAN274520	Inner Inspection Door	\$ 175.00	
	7660, 7760, 9976, 9986, 9996, CP690 - Pro 16	10	AMAN272628	Rear Inspection Door	\$ 170.00	
	7660, 7760, 9976, 9986, 9996, CP690 - Pro 16	11	AMAN273515	Front Door	\$ 125.00	
	7660, 7760, 9976, 9986, 9996, CP690 - Pro 16	12	AMAN276684	Rear Door Support	\$ 205.00	
	7660, 7760, 9970, 9976, 9986, 9996, CP690 - Pro 16	13	AMAN273516	Inner Inspection Door	\$ 15.00	
	7660, 7760, CP690 - Pro 16	NI	AMAN372909	Rear Post, Left Hand	\$ 145.00	

John Deere® — Picking Unit Cabinet



The use of original equipment manufacturer (OEM) part numbers or trademarks, e.g. Case® and John Deere®, are for reference purposes only and for indicating product use and compatibility. Our company and the listed replacement parts contained herein are not sponsored, approved or manufactured by the OEM. All parts are New unless designated Reman in the description. For warranty terms and conditions and store operating policies, refer to our main replacement parts catalog.

Application	No.	Part Number	Description	Price	Core
7660, 7760, CP690 - Pro 16	NI	AMAN372910	Front Post, Left Hand	\$ 240.00	
7660, 7760, 9986, 9996, CP690 - Pro 16	NI	AMAN278015	Rear Post, Right Hand	\$ 145.00	

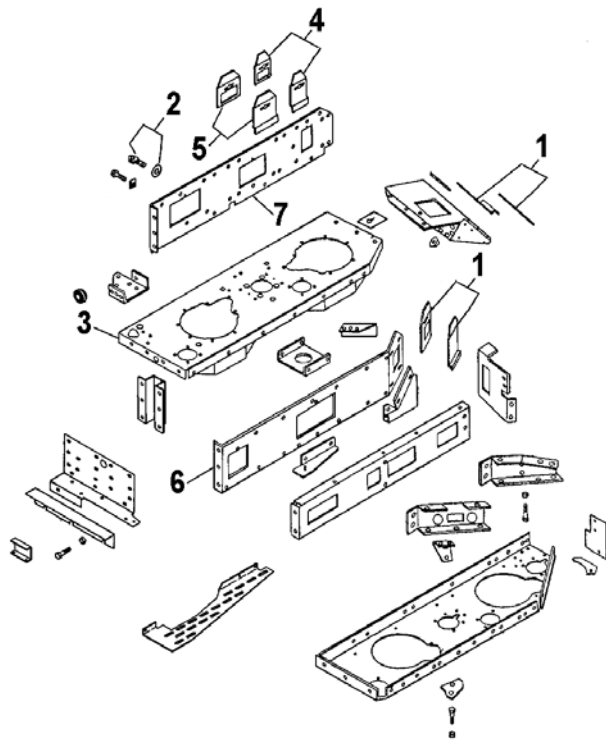
Unit Drive Countershaft









Illustrated: 9900

Application	No.	Part Number	Description	Price	Core
 9900, 9910, 9920, 9930 - Conventional	1	AMAN110820	Unit Drive Bearing	\$ 30.00	
 484, 7440, 7445, 9900, 9910, 9920, 9930, 9940, 9950 - Conventional	2	AMAN114202	Bearing Assembly, 1 3/8" Includes Housing and Locking Collar	\$ 30.00	

Upper Housing



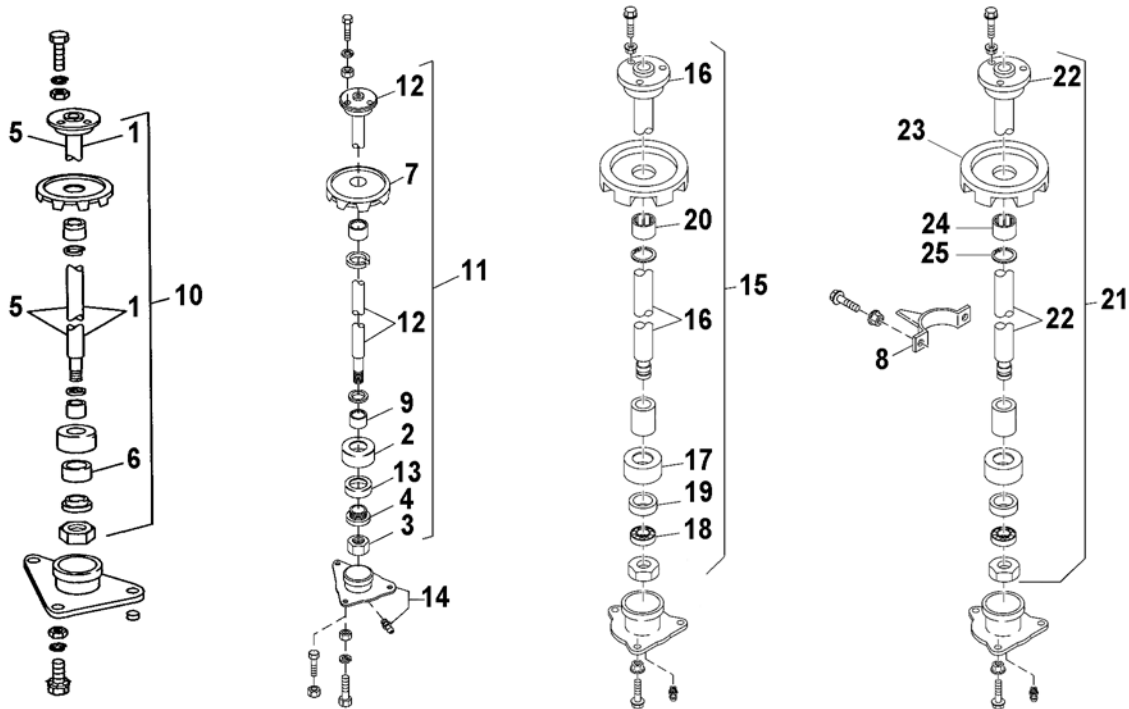
Illustrated: 9935

	Application	No.	Part Number	Description	Price	Core
	9930, 9935, 9960, 9965 - Conventional, Inline	1	AMAN272065	Inspection Cover	\$ 11.00	
	7660, 7760, 9930, 9935, 9960, 9965, 9970, 9976, 9986, 9996, CP690 - Conventional, Inline, Pro 12, Pro 16	2	AMAN272520	Dual Lock Fastener	\$ 8.00	
	9935, 9960, 9965 - Inline	3	AMAN272025	Cabinet Top Plate	\$ 515.00	
	9935, 9960, 9965 - Inline	4	AMAN272064	Top Inspection Cover	\$ 11.00	
	9935, 9960, 9965 - Inline	5	AMAN272066	Top Inspection Cover	\$ 11.00	
	9935, 9960, 9965 - Inline	7	AMN272076	Picking Unit Top Side Panel, Right Hand	\$ 80.00	
	7660, 7760 - Pro 16	NI	AMAN372907	Cabinet Top Plate	\$ 555.00	






John Deere® — Picking Unit Cabinet













The use of original equipment manufacturer (OEM) part numbers or trademarks, e.g. Case® and John Deere®, are for reference purposes only and for indicating product use and compatibility. Otor company and the listed replacement parts contained herein are not sponsored, approved or manufactured by the OEM. All parts are New unless designated Reman in the description. For warranty terms and conditions and store operating policies, refer to our main replacement parts catalog.

Doffer




Illustrated: (left to right) 9930 Inline, 9935, 9976 Pro 12, 9976 Pro 16 Headers

	Application	No.	Part Number	Description	Price	Core
	9910, 9920, 9930, 9935, 9940, 9950, 9960, 9965 - Conventional, Inline	2	AMN191302	Doffer Cap	\$ 4.95	
	9910, 9920, 9930, 9935, 9940, 9950, 9960, 9965 - Conventional, Inline	3	AMH82619	Lock Nut	\$ 7.00	
	9910, 9920, 9930, 9935, 9940, 9950, 9960, 9965 - Conventional, Inline	4	AMJD10123	Lower Doffer Bearing	\$ 13.00	
	9910, 9920, 9930, 9940, 9950, 9960, 9965 - Conventional	5	AMAN193263	Doffer Shaft, 20 Spindle	\$ 120.00	
	9910, 9920, 9930, 9940, 9950, 9960, 9965 - Conventional	6	AMN190913	Lower Doffer Bearing Spacer	\$ 10.00	
	7660, 7760, 9930, 9935, 9960, 9965, 9970, 9976, 9986, 9996, CP690 - Conventional, Inline, Pro 12, Pro 16	7	AMAN272152P	Doffer Pad, Premium	\$ 7.25	
	7660, 7760, 9930, 9935, 9960, 9965, 9970, 9976, 9986, 9996, CP690 - Conventional, Inline, Pro 12, Pro 16	8	AMN272482	Doffer Vine Cutter Blade Includes Attaching Hardware Sold in Pairs, (2) Required per Shaft	\$ 38.00	
	7760, 9930, 9935, 9960, 9965, 9970, 9976, 9986, 9996 - Conventional, Inline, Pro 12, Pro 16	9	AMN198746	Doffer Shaft Spacer, Short	\$ 2.45	
	9900, 9910, 9920, 9930, 9940, 9950, 9960, 9965 - Conventional	10	AMAN272225	Doffer Assembly, Urethane 20 Spindle Ground and Ready to Install	\$ 620.00	

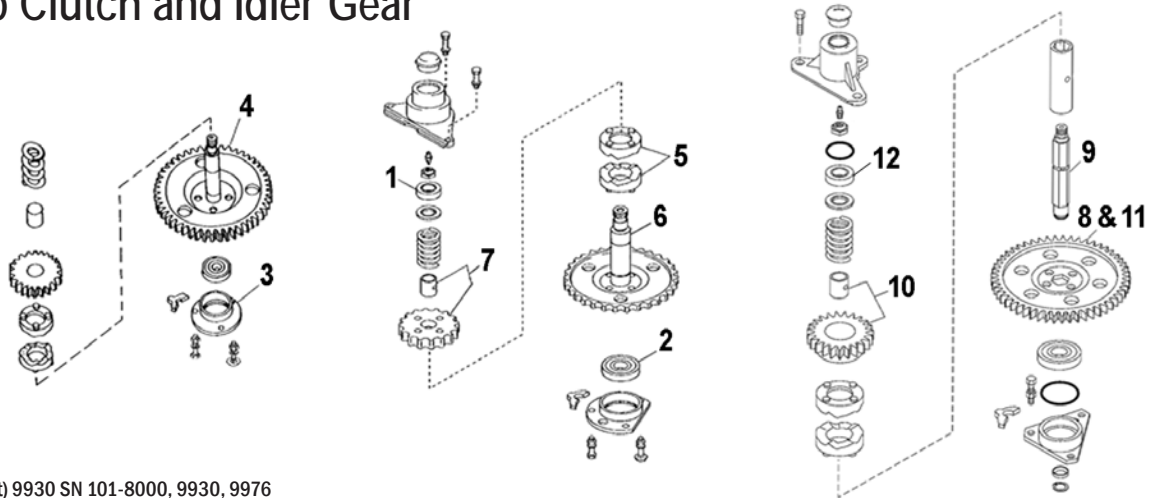
	Application	No.	Part Number	Description	Price	Core
	9935, 9960, 9965 - Inline	11	AMAN272224	Doffer Assembly, Urethane 18 Spindle Ground and Ready to Install	\$ 400.00	
	9935, 9960, 9965 - Inline	12	AMAN193323	Doffer Shaft, 18 Spindle	\$ 135.00	
	9935, 9960, 9965 - Inline	13	AMN196834	Lower Doffer Bearing Spacer	\$ 10.00	
	7660, 7760, 9935, 9965, 9970, 9976, 9986, 9996, CP690 - Inline, Pro 12, Pro 16	14	AMAN273953	Lower Doffer Housing Replaces N191303	\$ 54.00	
	7660, 7760, 9935, 9970, 9976, 9986, 9996, CP690 - Pro 12	15	AMAN274508	Doffer Assembly, Urethane 18 Spindle Ground and Ready to Install	\$ 375.00	
	7660, 7760, 9935, 9970, 9976, 9986, 9996, CP690 - Pro 12	16	AMAN274506	Doffer Shaft, 18 Spindle	\$ 125.00	
	7660, 7760, 9935, 9970, 9976, 9986, 9996, CP690 - Pro 12, Pro 16	17	AMN275471	Doffer Cap	\$ 7.00	
	7660, 7760, 9935, 9970, 9976, 9986, 9996, CP690 - Pro 12, Pro 16	18	AMAN275022	Lower Doffer Bearing	\$ 9.00	
	7660, 7760, 9935, 9970, 9976, 9986, 9996, CP690 - Pro 12, Pro 16	19	AMN371318	Lower Doffer Bearing Spacer	\$ 10.00	
	7660, 7760, 9900, 9910, 9920, 9930, 9940, 9950, 9960, 9965, 9970, 9976, 9986, 9996 - Conventional, Inline, Pro 12, Pro 16	20	AMN275381	Doffer Spacer, Long	\$ 2.50	
	7660, 7760, 9976, 9986, 9996 - Pro 16	21	AMAN273445	Doffer Assembly, Urethane 20 Spindle Ground and Ready to Install	\$ 638.00	
	7660, 7760, 9976, 9986, 9996 - Pro 16	22	AMAN273701	Doffer Shaft, 20 Spindle	\$ 160.00	
	7660, 7760, 9976, 9986, 9996, CP690 - Pro 16	22	AMAKK16193	Doffer Shaft, High Speed	\$ 180.00	
	7660 Standard and High Speed, 7760, 9976, 9986, 9996, CP690 - Pro 12, Pro 16	23	AMAN406038	Doffer Pad, High Speed	\$ 7.75	
	7660, 7760, 9976, 9986, 9996, CP690 - Pro 12, Pro 16	24	AMKK15280	Doffer Shaft Spacer, High Speed	\$ 2.75	
	7660 Standard and High Speed, 7760, 9976, 9986, 9996, CP690 - Pro 12, Pro 16	24	AMKK15281	Doffer Shaft Spacer, High Speed	\$ 3.00	

John Deere® — Picking Unit System







The use of original equipment manufacturer (OEM) part numbers or trademarks, e.g. Case® and John Deere®, are for reference purposes only and for indicating product use and compatibility. Otur company and the listed replacement parts contained herein are not sponsored, approved or manufactured by the OEM. All parts are New unless designated Reman in the description. For warranty terms and conditions and store operating policies, refer to our main replacement parts catalog.

Application	No.	Part Number	Description	Price	Core
7660, 7760, 9976, 9986, 9996, CP690 - Pro 12, Pro 16	25	AML3197N	Shim, 0.01" Thick	\$ 0.50	
		AMN400789	Shim, High Speed, 0.01" Thick	\$ 1.00	
 7660, 7760, 9935, 9970, 9976, 9986, 9996, CP690 - Pro 12, Pro 16	NI	AMAN273484	Doffer Drive Shaft	\$ 150.00	

Drum Slip Clutch and Idler Gear



Illustrated: (left to right) 9930 SN 101-8000, 9930, 9976

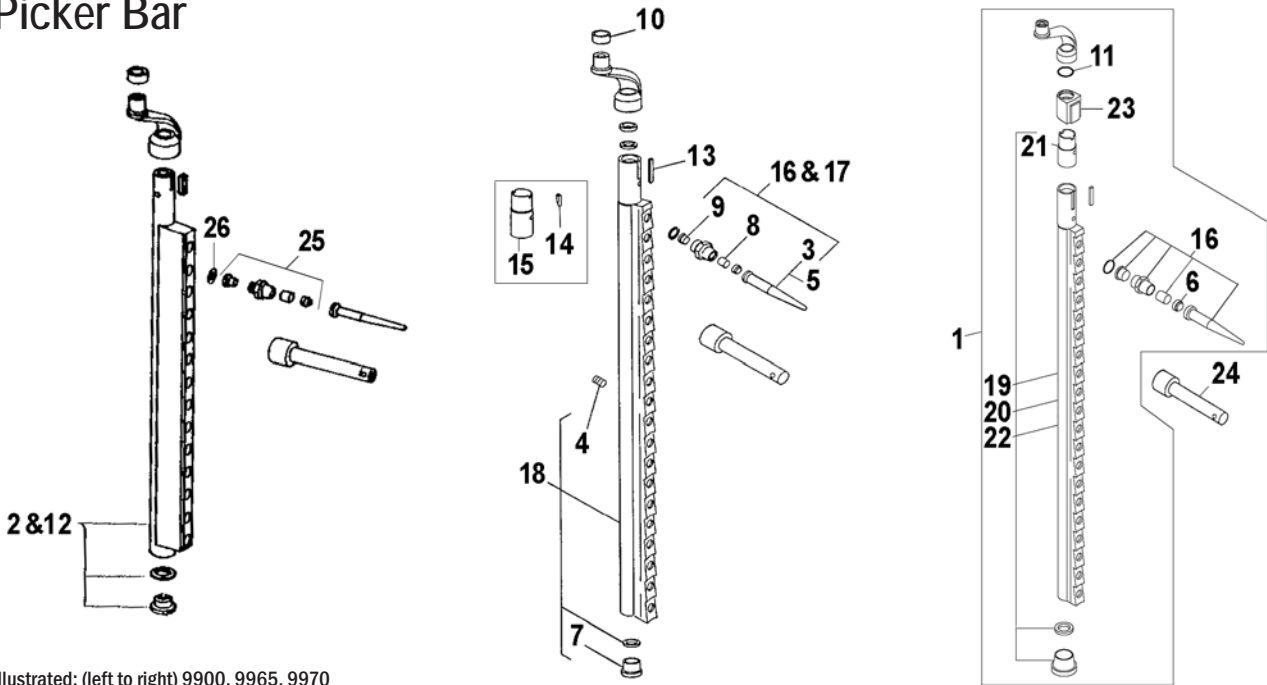
Application	No.	Part Number	Description	Price	Core
 9900, 9910, 9920, 9930, 9935, 9940, 9950, 9960, 9965 - Conventional, Inline	1	AMJD7142	Top Idler Bearing	\$ 6.00	
 9900, 9910, 9920, 9930, 9935, 9940, 9950, 9960, 9965 - Conventional, Inline	2	AMJD9324	Bottom Idler Bearing	\$ 7.50	
 9900, 9910, 9920, 9930, 9940, 9950 - Conventional	4	AMAN110124	Idler Gear 53 Tooth	\$ 210.00	
 7660, 7760, 9910, 9920, 9930, 9935, 9940, 9950, 9960, 9965, 9970, 9976, 9986, 9996, CP690 - Conventional, Inline, Pro 12, Pro 16	5	AMN190954	Slip Clutch, Right Hand	\$ 25.00	
9930, 9935, 9965 - Conventional, Inline	6	AMAN272285	Idler Gear 53 Tooth	\$ 185.00	
9930 ASN 8000, 9935 SN 0101-2000, 9960 ASN 4000, 9965 - Conventional, Inline	7	AMAN193118	Spur Gear 24 Tooth	\$ 165.00	
 9930, 9960 SN 0101-4000 - Conventional, Inline	7	AMAN193393	Idler Ground Drive Spur Gear 23 Tooth	\$ 125.00	
 7660, 7760, 9935, 9970, 9976, 9986, 9996, CP690 - Pro 12	8	AMN274017	Idler Gear 55 Tooth	\$ 240.00	

John Deere® — Picking Unit System




The use of original equipment manufacturer (OEM) part numbers or trademarks, e.g. Case® and John Deere®, are for reference purposes only and for indicating product use and compatibility. Our company and the listed replacement parts contained herein are not sponsored, approved or manufactured by the OEM. All parts are New unless designated Reman in the description. For warranty terms and conditions and store operating policies, refer to our main replacement parts catalog.

Application	No.	Part Number	Description	Price	Core
7660, 7760, 9970, 9976, 9986, 9996, CP690 - Pro 12, Pro 16	10	AMAN273468	Spur Gear 25 Tooth	\$ 160.00	
9935, 9970, 9976 - Pro 12, Pro 16	10	AMAN273802	Spur Gear, 12 Bar 23 Tooth	\$ 150.00	
7660, 7760, 9976, 9986, 9996, CP690 - Pro 16	11	AMN274016	Idler Gear 55 Tooth	\$ 240.00	
7660, 7760, 9935, 9970, 9976, 9986, 9996, CP690 - Pro 12, Pro 16	12	AMJD9321	Upper Idler Bearing	\$ 5.25	
9935, 9960, 9965 - Inline	NI	AMN199063	Lower Idler Bearing Housing	\$ 48.00	

Picker Bar



Illustrated: (left to right) 9900, 9965, 9970

Assembly	Application	No.	Part Number	Description	Price	Core
	7660, 7760, 9935, 9970, 9976, 9986, 9996, CP690 - Pro 12	1	AMAN276740	Picker Bar Assembly, 18 Spindle	\$ 495.00	
	7660, 7760, 9935, 9970, 9976, 9986, 9996, CP690 - Pro 16	NI	AMAN276734	Picker Bar Assembly	\$ 520.00	
Application	No.	Part Number	Description	Price	Core	
	9900, 9910, 9920 - Conventional	2	AMAN190786	Picker Bar, 14 Spindle, Right Hand Low Drum	\$ 44.00	
			AMAN190787	Picker Bar, 14 Spindle, Left Hand Low Drum	\$ 135.00	
	280, 282, 283 BSN 2455, 484, 7440, 7450, 7455, 7460 w/ 748 Platform, 7660, 7760, 9900, 9910, 9920, 9930, 9935, 9940, 9950, 9960, 9965, 9970, 9976, 9986, 9996, CP690 - Conventional, Inline, Pro 12, Pro 16	4	AM15H558	Pipe Plug, 1/8"	\$ 0.29	








John Deere® — Picking Unit System

The use of original equipment manufacturer (OEM) part numbers or trademarks, e.g. Case® and John Deere®, are for reference purposes only and for indicating product use and compatibility. Otr company and the listed replacement parts contained herein are not sponsored, approved or manufactured by the OEM. All parts are New unless designated Reman in the description. For warranty terms and conditions and store operating policies, refer to our main replacement parts catalog.

	Application	No.	Part Number	Description	Price	Core
	7660, 7760, 9900, 9910, 9920, 9930, 9935, 9940, 9950, 9960, 9965, 9970, 9976, 9986, 9996, CP690 - Conventional, Inline, Pro 12, Pro 16	5	AMN277078	Spindle, Right Hand Pro-XL™	\$ 6.50	
			AMN277079	Spindle, Left Hand Pro-XL™	\$ 7.00	
	7660, 7760, 9900, 9910, 9920, 9930, 9935, 9940, 9950, 9960, 9965, 9970, 9976, 9986, 9996, CP690 - Conventional, Inline, Pro 12, Pro 16	6	AMN279986	Spindle Dust Cap	\$ 0.25	
	7660, 7760, 9900, 9910, 9920, 9930, 9935, 9940, 9950, 9960, 9965, 9970, 9976, 9986, 9996, CP690 - Conventional, Inline, Pro 12, Pro 16	7	AMN374832	Picker Bar Lower Bushing	\$ 5.00	
	7660, 7760, 9900, 9910, 9920, 9930, 9935, 9940, 9950, 9960, 9965, 9970, 9976, 9986, 9996, CP690 - Conventional, Inline, Pro 12, Pro 16	8	AMN112394	Front Spindle Bushing, Straight Sold in Pairs	\$ 0.30	
	7660, 7760, 9900, 9910, 9920, 9930, 9935, 9940, 9950, 9960, 9965, 9970, 9976, 9986, 9996, CP690 - Conventional, Inline, Pro 12, Pro 16	9	AMN113307	Rear Spindle Bushing, Flanged Sold in Pairs	\$ 0.30	
	7660, 7760, 9900, 9910, 9920, 9930, 9935, 9940, 9950, 9960, 9965, 9970, 9976, 9986, 9996, CP690 - Conventional, Inline, Pro 12, Pro 16	10	AMN193500	Cam Roller Bushing	\$ 7.50	
	484, 7440, 7660, 7760, 9900, 9910, 9920, 9935, 9970, 9976, 9986, 9996 - Conventional, Inline, Pro 12, Pro 16	11	AMT19854	O-Ring	\$ 0.45	
	9900, 9910, 9920, 9940 - Conventional	12	AMAN192756	Picker Bar, 20 Spindle, Right Hand	\$ 100.00	
			AMAN192755	Picker Bar, 20 Spindle, Left Hand	\$ 100.00	
	9910, 9920, 9930, 9935, 9940, 9950, 9960, 9965, 9970, 9976, 9986, 9996, CP690 - Conventional, Inline, Pro 12, Pro 16	13	AMH64373	Key, Square	\$ 1.00	
	7660, 7760, 9935, 9970, 9976, 9986, 9996 - Pro 12, Pro 16	15	AMN279372	Service Sleeve, Keyed	\$ 10.00	
	7660, 7760, 9930, 9935, 9960, 9965, 9970, 9976, 9986, 9996, CP690 - Conventional, Inline, Pro 12, Pro 16	16	AMAN274216	Spindle w/ Nut Assembly, Pre-Assembled, Right Hand	\$ 9.00	
	9930, 9960, 9965 - Conventional, Inline	17	AMAN274217	Spindle w/ Nut Assembly, Pre-Assembled, Left Hand	\$ 7.99	
	9930, 9950, 9960, 9965 - Conventional	18	AMAN192810	Picker Bar w/ Sleeve, 20 Spindle, Right Hand	\$ 100.00	
			AMAN192809	Picker Bar w/ Sleeve, 20 Spindle, Left Hand	\$ 100.00	
	7760, 9935, 9960, 9965, 9970, 9976, 9986, 9996 - Inline, Pro 12	19	AMAN193320	Picker Bar w/ Sleeve, 18 Spindle, Right Hand	\$ 170.00	
	7660, 7760, 9935, 9970, 9976, 9986, 9996, CP690 - Pro 12	20	AMAN274501	Picker Bar w/ Sleeve, 18 Spindle	\$ 100.00	

John Deere® — Picking Unit System

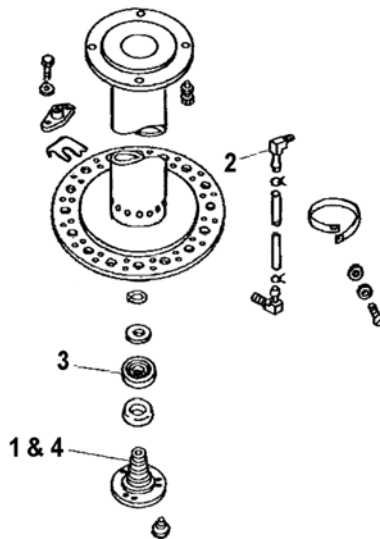
The use of original equipment manufacturer (OEM) part numbers or trademarks, e.g. Case® and John Deere®, are for reference purposes only and for indicating product use and compatibility. Our company and the listed replacement parts contained herein are not sponsored, approved or manufactured by the OEM. All parts are New unless designated Reman in the description. For warranty terms and conditions and store operating policies, refer to our main replacement parts catalog.

	Application	No.	Part Number	Description	Price	Core
	9935, 9970, 9976, 9986, 9996, 7660, 7760 - Pro 12, Pro 16	21	AMN276373	Service Sleeve, Keyed	\$ 7.25	
	7660, 7760, 9970, 9976, 9986, 9996, CP690 - Pro 16	22	AMAN273434	Picker Bar w/ Sleeve, 20 Spindle	\$ 150.00	
	7660, 7760, 9935, 9970, 9976, 9986, 9996, CP690 - Pro 12, Pro 16	23	AMN370976	Bar Journal Bearing Housing	\$ 14.00	
	7660, 7760, 9935, 9970, 9976, 9986, 9996, CP690 - Pro 12, Pro 16	24	AMN275063	Impact Socket, Spindle Nut	\$ 67.00	
	7660, 7760, 9900, 9910, 9920, 9930, 9935, 9940, 9950, 9960, 9965, 9970, 9976, 9986, 9996, CP690 - Conventional, Inline, Pro 12, Pro 16	24	AMAN111948	Spindle Nut w/ Bushings, Right Hand	\$ 2.50	
	9900, 9910, 9920, 9930, 9935, 9940, 9950, 9960, 9965 - Conventional, Inline	24	AMAN111949	Spindle Nut w/ Bushings, Left Hand	\$ 2.50	
	9900, 9910, 9920, 9930, 9940, 9950, 9960 - Pro 12, Pro 16	26	AMN110223	Spindle Nut Shim, 0.01" Thick	\$ 0.14	
	9900, 9910, 9920, 9940, 9950 - Conventional	NI	AMN117859	Picker Bar Sleeve	\$ 3.50	
	7660, 7760, 9900, 9910, 9920, 9930, 9935, 9940, 9950, 9960, 9965, 9970, 9976, 9986, 9996, CP690 - Conventional, Inline, Pro 12, Pro 16	NI	AMN112291	Bar Pivot Stool	\$ 4.75	





John Deere® — Picking Unit System

The use of original equipment manufacturer (OEM) part numbers or trademarks, e.g. Case® and John Deere®, are for reference purposes only and for indicating product use and compatibility. Otor company and the listed replacement parts contained herein are not sponsored, approved or manufactured by the OEM. All parts are New unless designated Reman in the description. For warranty terms and conditions and store operating policies, refer to our main replacement parts catalog.

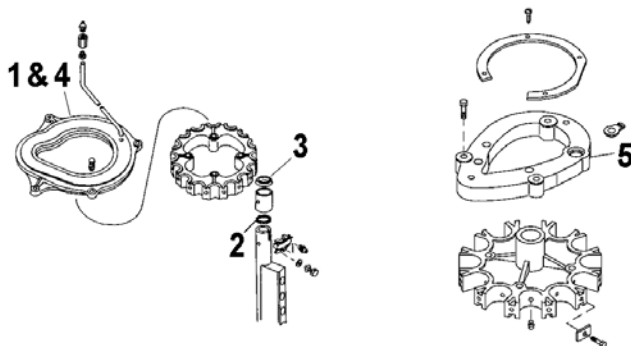
Picker Bar Drum






Illustrated: 9910

	Application	No.	Part Number	Description	Price	Core
	9900, 9910 - Conventional	1	AMAN111582	Picker Bar Drum Spindle	\$ 54.00	
	9900, 9910, 9920, 9930, 9935, 9940, 9950, 9960, 9965 - Conventional, Inline	2	AMN115724	Elbow Fitting For 90° Lube Line Union	\$ 3.50	
	9900, 9910, 9920, 9930, 9940, 9950, 9960, 9965 - Conventional, Inline	3	AMAN111537	Drum Bearing	\$ 8.50	
	9910 ASN 1606, 9920, 9930, 9935, 9940, 9950, 9960, 9965 - Conventional, Inline	4	AMN193645	Picker Bar Drum Spindle w/o Lube Hole	\$ 52.00	
	7660, 7760, 9976, 9986, 9996, CP690 - Pro 16	NI	AMAN272736	Picker Unit Drum, 16 Bar	\$ 1475.00	
	7760, 9935, 9970, 9976, 9986, 9996, CP690 - Pro 12, Pro 16	NI	AMAN272787	Bottom Drum Bearing	\$ 10.00	
	All John Deere® Cotton Pickers - Conventional, Inline, Pro 12, Pro 16	NI	AMN274964-100	Picker Bar Lube Hose 100' Long	\$ 55.00	
		NI	AMN274964-1000	Picker Bar Lube Hose 1000' Long	\$ 500.00	

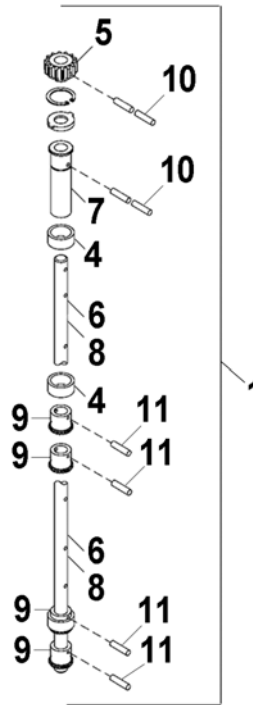
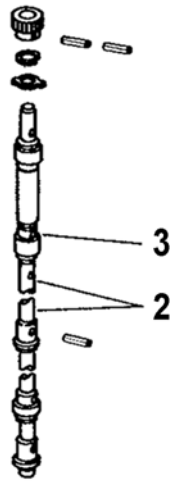
Picker Bar Head









Illustrated: (left to right) 9910, 9976

	Application	No.	Part Number	Description	Price	Core
	9900, 9910 - Conventional	1	AMN116466	Cam Track, High Drum, Right Hand	\$ 250.00	
			AMN116467	Cam Track, High Drum, Left Hand	\$ 370.00	
	9900, 9910, 9920, 9930, 9935, 9940, 9950, 9960, 9965 - Conventional, Inline	2	AMN119581	Lower Washer	\$ 0.15	
	9900, 9910, 9920, 9930, 9935, 9940, 9950, 9960, 9965 - Conventional, Inline	3	AMN119589	Upper Seal	\$ 1.50	
	9900, 9910, 9920, 9930, 9940, 9950, 9960, 9965 - Conventional	4	AMN190600	Cam Track, Right Hand	\$ 195.00	
			AMN190601	Cam Track, Left Hand	\$ 195.00	
	7660, 7760, CP690 - Pro 12, Pro 16	5	AMN378789	Front Cam Track, 12 Bar	\$ 265.00	
	9935, 9970, 9976, 9986, 9996 - Pro 12	5	AMN273012	Cam Track	\$ 200.00	
	9976, 9986, 9996 - Pro 16	5	AMN273016	Cam Track	\$ 230.00	
	9930 ASN 12000, 9935, 9960, 9965 - Conventional, Inline	NI	AMAN272570	Picker Bar Drum Head, 12 Bar	\$ 525.00	
	9935, 9960, 9965 - Inline	NI	AMN197910	Cam Track	\$ 190.00	
	7660, 7760, CP690 - Pro 16	NI	AMN378790	Rear Cam Track, 16 Bar	\$ 375.00	
	740, 7445, 9900, 9910, 9920, 9930, 9935, 9940, 9950, 9960, 9965 - Conventional, Inline	NI	AMN117044	Hose Clamp For Hoses w/ 0.28" OD	\$ 0.50	

Picker Bar Spindle Drive Shaft





Illustrated: (left to right) 9920, 9996

	Application	No.	Part Number	Description	Price	Core
	7660, 7760, 9960, 9965, 9970, 9976, 9986, 9996 - Pro 12, Pro 16	1	AMAN276743	Spindle Drive Shaft Assembly	\$ 125.00	
	7660, 7760, 9976, 9986, 9996, CP690 - Pro 16	1	AMAN276737	Spindle Drive Shaft Assembly	\$ 120.00	
	9935 SN 0101-2000, 9960, 9965 - Inline	1	AMAN193313	Spindle Drive Shaft Assembly Replaces AN192556, AN276743	\$ 125.00	
	9900, 9910, 9920 - Conventional	2	AMN114199	Spindle Drive Shaft, Low Drum	\$ 14.00	
	9900, 9910, 9920, 9930, 9935, 9940, 9950, 9960, 9965, 9970, 9976 - Conventional, Inline, Pro 12, Pro 16	3	AML2456N	Picker Bar Spindle Drive Gear 21 Tooth	\$ 3.50	
	9900, 9910, 9920, 9930, 9935, 9940, 9950, 9960, 9965, 9970, 9976, 9986, 9996, CP690 - Conventional, Inline, Pro 12, Pro 16	4	AMJD8804	Needle Bearing	\$ 1.40	
	7660, 7760, 9900, 9910, 9920, 9930, 9935, 9940, 9950, 9960, 9965, 9970, 9976, 9986, 9996, CP690 - Conventional, Inline, Pro 12, Pro 16	5	AMN118289	Picker Bar Drive Gear 14 Tooth	\$ 11.20	
	7660, 7760, 9920, 9930, 9950, 9960, 9965, 9976, 9986, 9996, CP690 - Conventional, Pro 16	6	AMN371572	Spindle Drive Shaft	\$ 41.00	
	7660, 7760, 9930, 9935, 9965, 9976, 9986, 9996, CP690 - Conventional, Inline, Pro 12, Pro 16	7	AMN278782	Picker Bar Drive Shaft Sleeve	\$ 12.00	

John Deere® — Picking Unit System

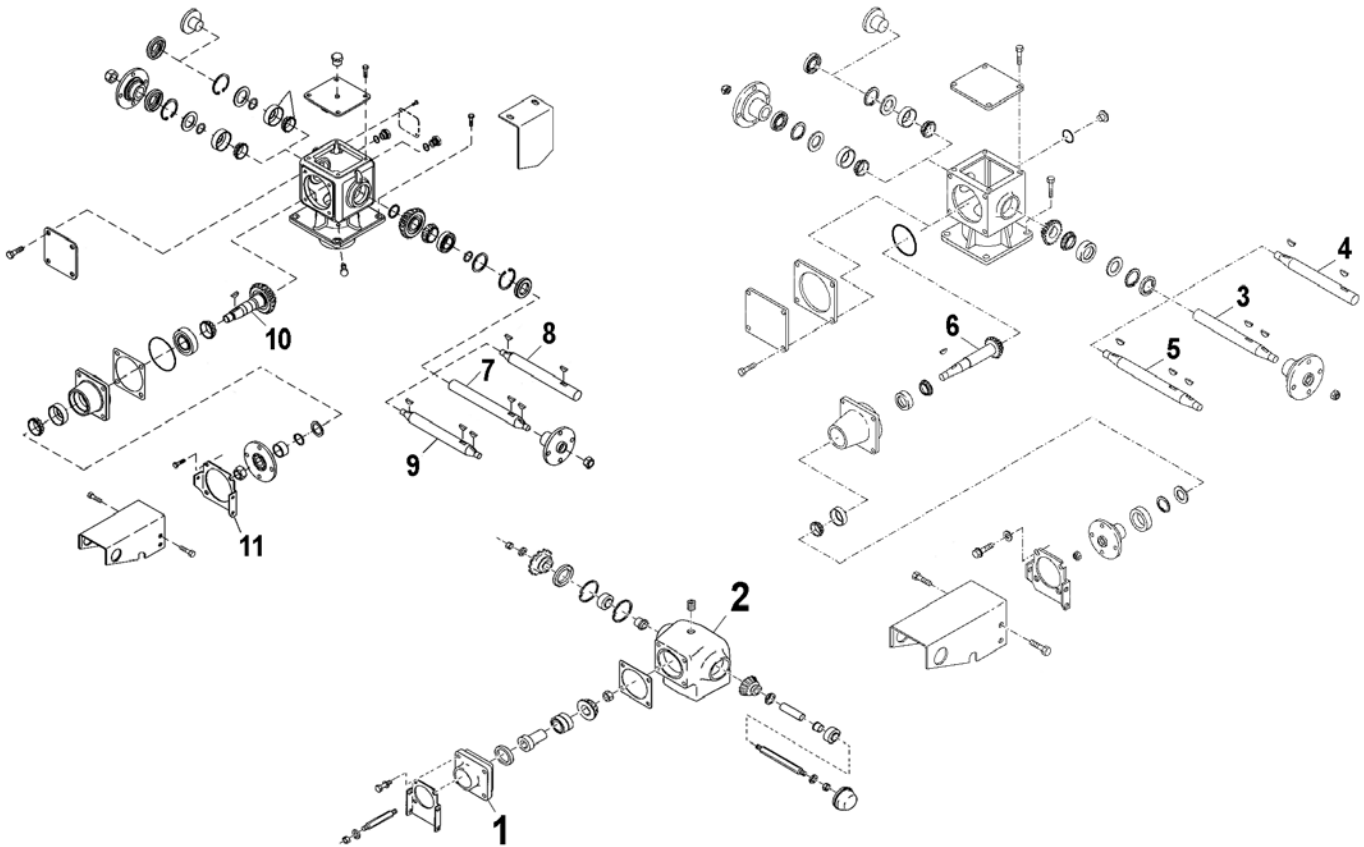
The use of original equipment manufacturer (OEM) part numbers or trademarks, e.g. Case® and John Deere®, are for reference purposes only and for indicating product use and compatibility. Our company and the listed replacement parts contained herein are not sponsored, approved or manufactured by the OEM. All parts are New unless designated Reman in the description. For warranty terms and conditions and store operating policies, refer to our main replacement parts catalog.

	Application	No.	Part Number	Description	Price	Core
	7660, 7760, 9935, 9960, 9965, 9970, 9976, 9986, 9996, CP690 - Inline, Pro 12	8	AMN371720	Spindle Drive Shaft Replaces N278037	\$ 27.00	
	7660, 7760, 9935, 9970, 9976, 9986, 9996, CP690 - Conventional, Inline, Pro 12, Pro 16	9	AMN371626	Spindle Gear 5/32" Pin Hole	\$ 4.00	
	7660, 7760, 9900, 9910, 9920, 9930, 9940, 9950, 9960, 9965, 9970, 9976, 9986, 9996, CP690 - Conventional, Inline, Pro 12, Pro 16	10	AM34H235	Roll Pin, 3/32"	\$ 0.15	
	7660, 7760, 9986, 9996, CP690 - Pro 12, Pro 16	11	AM34H60	Roll Pin, 5/32"	\$ 0.08	
	9900, 9910, 9930, 9940, 9950, 9960, 9965, 9970, 9976 - Conventional, Inline, Pro 12, Pro 16	NI	AM34H45	Roll Pin, 1/8"	\$ 0.08	


John Deere® — Picking Unit System

The use of original equipment manufacturer (OEM) part numbers or trademarks, e.g. Case® and John Deere®, are for reference purposes only and for indicating product use and compatibility. Our company and the listed replacement parts contained herein are not sponsored, approved or manufactured by the OEM. All parts are New unless designated Reman in the description. For warranty terms and conditions and store operating policies, refer to our main replacement parts catalog.

Picker Unit Gearbox



Illustrated: (left to right) 9996, 9960, 9976

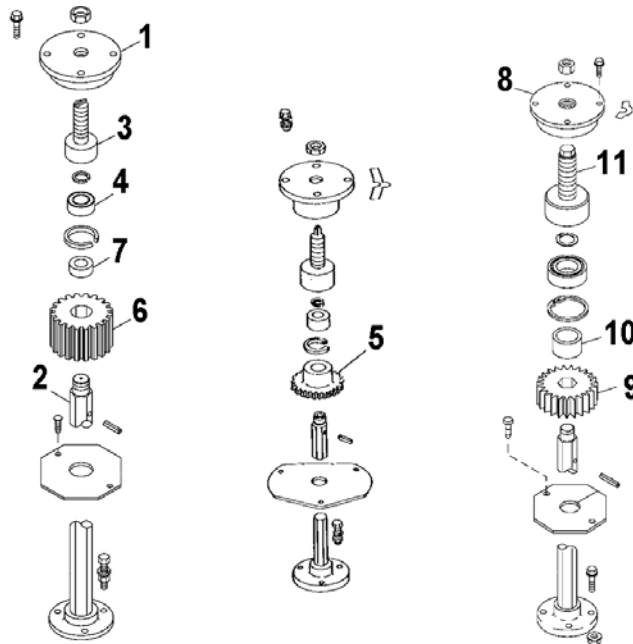
	Application	No.	Part Number	Description	Price	Core
	9935, 9940, 9950, 9960, 9965 - Conventional	1	AMN118641	Gearbox Bearing Housing	\$ 70.00	
	9935, 9940, 9950, 9960, 9965 - Conventional, Inline	2	AMN197405	Picking Unit Gearbox Housing	\$ 400.00	
	9935 ASN 2000, 9970 (Pro 12 VRS), 9976 - Pro 12	3	AMCE17351	Drive Shaft, Picking Unit Gearbox	\$ 195.00	
	9935 ASN 2000, 9970 (Pro 12 VRS), 9976 - Pro 12	4	AMCE17352	Drive Shaft, Picking Unit Gearbox	\$ 200.00	
	9970 (4 and 5 Row), 9976 - Pro 12	5	AMCE17353	Drive Shaft, Picking Unit Gearbox	\$ 235.00	
	9935 ASN 2000, 9970 (Pro 12 VRS w/ 4 & 5 Row), 9976 - Pro 12	6	AMCE17346	Pinion Shaft, Picking Unit Gearbox	\$ 250.00	
	7760, 9970, 9986, 9996, CP690 - Pro 12, Pro 16	7	AMCE18543	Drive Shaft, Picking Unit Gearbox	\$ 165.00	
	7660, 7760 (Pro 12 VRS w/ 3 & 6 Row or Pro 16 w/ 6 Row), 9970, 9986, 9996, CP690 - Pro 12, Pro 16	8	AMCE18544	Drive Shaft, Picking Unit Gearbox	\$ 177.00	

John Deere® — Picking Unit System


The use of original equipment manufacturer (OEM) part numbers or trademarks, e.g. Case® and John Deere®, are for reference purposes only and for indicating product use and compatibility. Our company and the listed replacement parts contained herein are not sponsored, approved or manufactured by the OEM. All parts are New unless designated Reman in the description. For warranty terms and conditions and store operating policies, refer to our main replacement parts catalog.

Application	No.	Part Number	Description	Price	Core
7660, 7760, 9970, 9986, 9996, CP690 - Pro 12, Pro 16	9	AMCE18545	Drive Shaft, Picking Unit Gearbox	\$ 200.00	
9970, 9986, 9996 (Pro 12 w/ 6 Row or Pro 16 w/ 4 & 6 Row) - Pro 12 or Pro 16	10	AMCE18602	Pinion Shaft, Picking Unit Gearbox	\$ 285.00	
9970, 9986, 9996 - Pro 12, Pro 16	11	AMX54002	Unit Gearbox Support Plate Designed to reinforce the cabinet and prevent cracking Replaces N275328, N377378	\$ 38.00	
7660, 7760, 9970, 9976, 9986, 9996, CP690 - Pro 12, Pro 16	NI	AMDE30725	Outer Picking Unit Gearbox, Left Hand	\$ 2400.00	
7660, 7760, 9970, 9976, 9986, 9996, CP690 - Pro 12, Pro 16	NI	AMDE30728	Picking Unit Gearbox, Middle	\$ 2400.00	
7660, 7760, 9970, 9976, 9986, 9996, CP690 - Pro 12, Pro 16	NI	AMDE30729	Outer Picking Unit Gearbox, Right Hand	\$ 2400.00	

Upper Doffer Adjusting Housing



Illustrated: (left to right) 9935, 9950, 9970

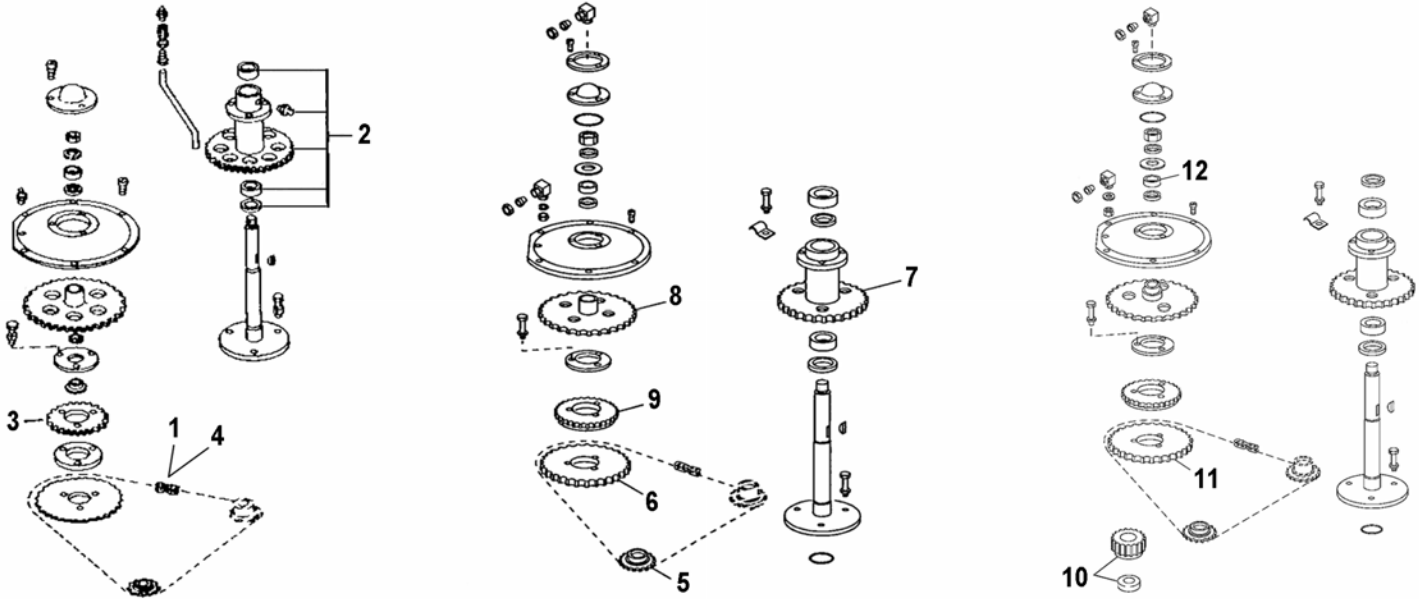
Application	No.	Part Number	Description	Price	Core
 9900, 9910, 9920, 9930, 9935, 9940, 9950, 9960, 9965 - Conventional, Inline	1	AMN114205	Upper Doffer Adjustment Housing	\$ 95.00	
9900, 9910, 9920, 9930, 9935, 9940, 9950, 9960, 9965 - Conventional, Inline	2	AMAN190169	Doffer Drive Shaft	\$ 105.00	

John Deere® — Picking Unit System







The use of original equipment manufacturer (OEM) part numbers or trademarks, e.g. Case® and John Deere®, are for reference purposes only and for indicating product use and compatibility. Our company and the listed replacement parts contained herein are not sponsored, approved or manufactured by the OEM. All parts are New unless designated Reman in the description. For warranty terms and conditions and store operating policies, refer to our main replacement parts catalog.

	Application	No.	Part Number	Description	Price	Core
	9900, 9910, 9920, 9930, 9935, 9940, 9950, 9960, 9965 - Conventional, Inline	3	AMN195284	Doffer Adjuster	\$ 55.00	
	7660, 7760, 9900, 9910, 9920, 9930, 9935, 9940, 9950, 9960, 9965, 9970, 9976, 9986, 9996, CP690 - Conventional, Inline, Pro 12, Pro 16	4	AMJD9467	Upper Doffer Bearing	\$ 10.00	
	9900, 9910 ASN 3056, 9920, 9930, 9940, 9950, 9960 SN 0112-2000, 9965 - Conventional	5	AMN190918	Upper Doffer Sprocket 15 Tooth	\$ 40.00	
	9935, 9960, 9965 - Inline	6	AMN197456	Doffer Drive Gear 19 Tooth	\$ 115.00	
	9935, 9960, 9965 - Inline	7	AMN195726	Doffer Drive Spacer	\$ 5.00	
	7660, 7760, 9935, 9970, 9976, 9986, 9996, CP690 - Pro 12, Pro 16	9	AMN273954	Doffer Drive Gear 20 Tooth	\$ 150.00	
	7660, 7760, 9935, 9970, 9976, 9986, 9996, CP690 - Pro 12, Pro 16	10	AMN277150	Upper Doffer Spacer	\$ 7.50	
	7660, 7760, 9935, 9965, 9970, 9976, 9986, 9996, CP690 - Pro 12, Pro 16	11	AMN375743	Doffer Adjuster	\$ 49.00	

Upper Housing Drum Drive



Illustrated: (left to right) 9900, 9930, 9965

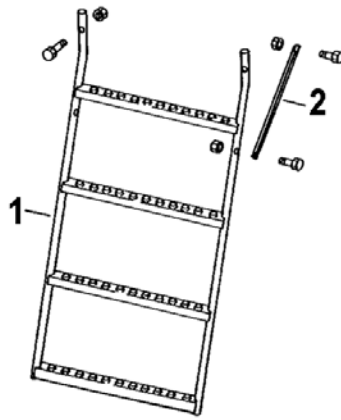
	Application	No.	Part Number	Description	Price	Core
	9900, 9910 - Conventional	1	AMAN113171	Doffer Drive Chain, 16 Bar 75 Links	\$ 23.00	
	9900, 9910 - Conventional	2	AMAN113616	Sun Gear, 16 Bar	\$ 262.00	
	9900, 9910, 9920, 9930, 9940, 9950, 9960, 9965 - Conventional	4	AMAN113170	Doffer Drive Chain, 12 Bar 62 Links	\$ 21.50	
	9900, 9910, 9920, 9930, 9940, 9950, 9960, 9965 - Conventional	6	AMN114175	Doffer Drive Chain Sprocket 42 Tooth	\$ 22.00	
	9930, 9935, 9960, 9965 - Conventional, Inline	7	AMAN274459	Sun Gear, 12 Bar w/ 11/16" Gear	\$ 285.00	
	9930, 9960 - Conventional, Inline	8	AMAN194104	Drum Ground Drive Gear 64 Tooth	\$ 88.00	
	9935, 9960, 9965 - Inline	10	AMAN193601	Drum Drive Idler Gear 22 Tooth	\$ 150.00	
	7660, 7760, 9930, 9935, 9960, 9965, 9970, 9976, 9986, 9996, CP690 - Conventional, Inline, Pro 12, Pro 16	12	AMJD9209	Drum Drive Bearing	\$ 20.00	

John Deere® — Picking Unit System



The use of original equipment manufacturer (OEM) part numbers or trademarks, e.g. Case® and John Deere®, are for reference purposes only and for indicating product use and compatibility. Otur company and the listed replacement parts contained herein are not sponsored, approved or manufactured by the OEM. All parts are New unless designated Reman in the description. For warranty terms and conditions and store operating policies, refer to our main replacement parts catalog.

Application	No.	Part Number	Description	Price	Core
7660, 7760, 9935, 9970, 9976, 9986, 9996, CP690 - Pro 12, Pro 16	NI	AMN273303	Upper Drum Shaft	\$ 180.00	
7660 w/ 12 Bar Drum, 7760, 9970, 9976, 9986, 9996, CP690 - Pro 12, Pro 16	NI	AMAN272801	Spur Gear 100 Tooth Replaces KK27794	\$ 200.00	
7660 w/ 16 Bar Drum, 7760, 9970, 9976, 9986, 9996, CP690 - Pro 12, Pro 16	NI	AMAN272800	Drive Gear, Drum Drive 138 Tooth Replaces KK27793	\$ 235.00	
7660, 7760, 9970, 9976, 9986, 9996, CP690 - Pro 12, Pro 16	NI	AMN273955	Idler Gear, Doffer Drive 25 Tooth	\$ 130.00	

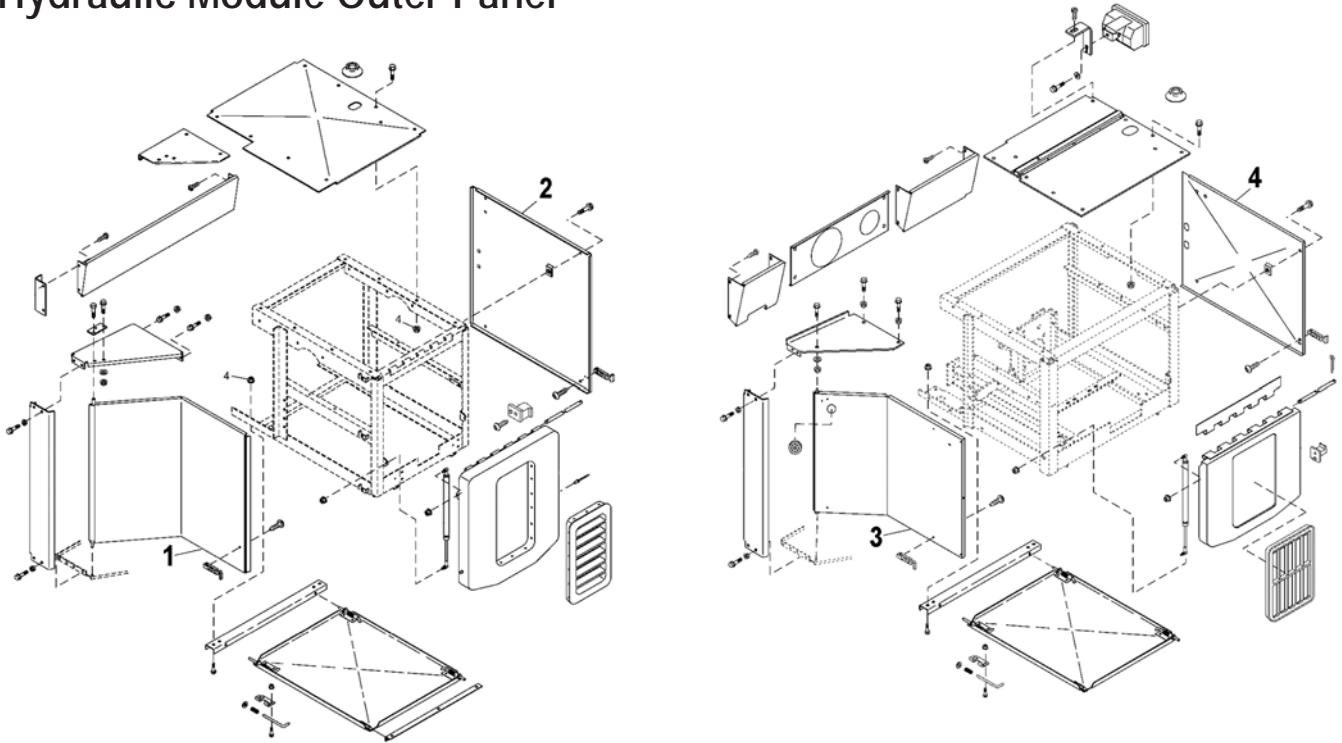
Handrail and Ladder



Illustrated: 9960

	Application	No.	Part Number	Description	Price	Core
	9960, 9965, 9970 - Inline, Pro 12, Pro 16	1	AMAN193423	Ladder	\$ 175.00	
	9960, 9965, 9970 - Inline, Pro 12	2	AMN197248	Ladder Angle	\$ 15.00	

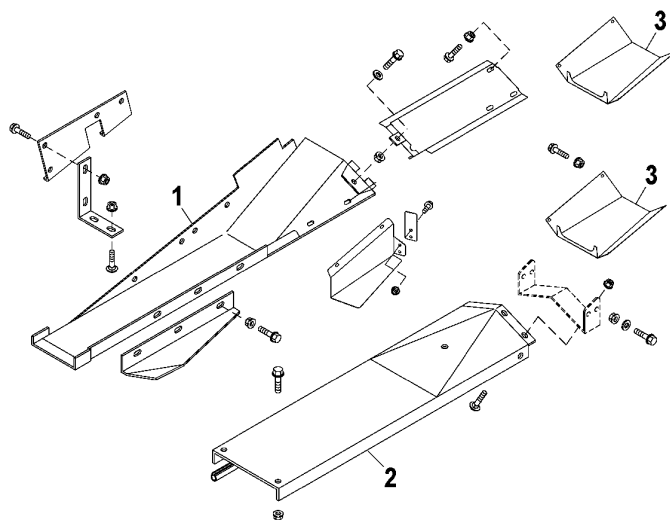
Hydraulic Module Outer Panel



Illustrated: (left to right) 9976, 9986

Application	No.	Part Number	Description	Price	Core
9976 BSN 4000 - Pro 12, Pro 16	1	AMAN273542	Door	\$ 295.00	
9976 BSN 4000 - Pro 12, Pro 16	2	AMN275593	Sheet	\$ 155.00	
9976 ASN 4000, 9986 - Pro 12, Pro 16	3	AMAN277436	Door	\$ 295.00	
9976 ASN 4001, 9986 - Pro 12, Pro 16	4	AMN372634	Sheet	\$ 155.00	

Plant Shield

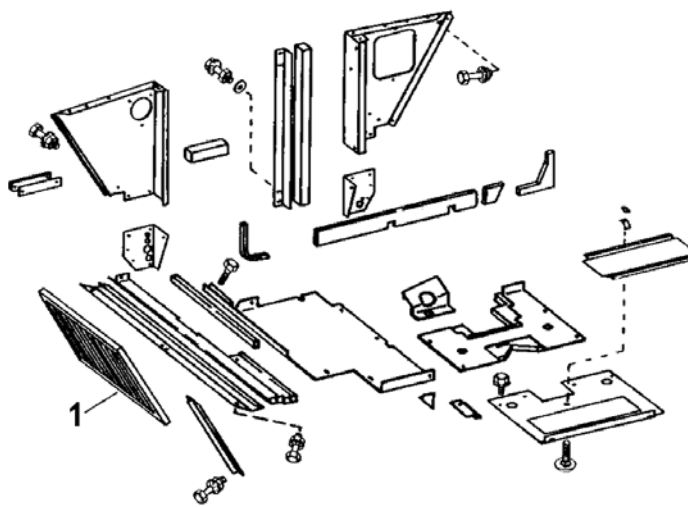


Illustrated: 9970

Application	No.	Part Number	Description	Price	Core
9960, 9965, 9970 - Inline, Pro 12	1	AMN371720	Plant Shield, Left Hand Replaces AN274331	\$ 215.00	
9960, 9965, 9970 - Inline, Pro 12	2	AMN197891	Plant Shield	\$ 90.00	
9960, 9965, 9970 - Inline, Pro 12	3	AMN375499	Pump Shield	\$ 60.00	



Side Screen

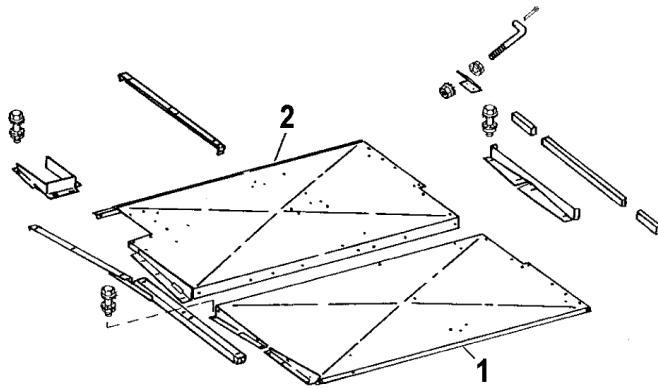


Illustrated: 9950

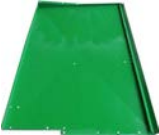

Application	No.	Part Number	Description	Price	Core
9940, 9950, 9960, 9965, 9970 - Conventional, Inline, Pro 12, Pro 16	1	AMAN115104	Side Screen	\$ 195.00	
9950, 9960, 9965, 9970 - Conventional, Inline, Pro 12	NI	AMN371414	Engine Side Screen Replaces N194241	\$ 195.00	



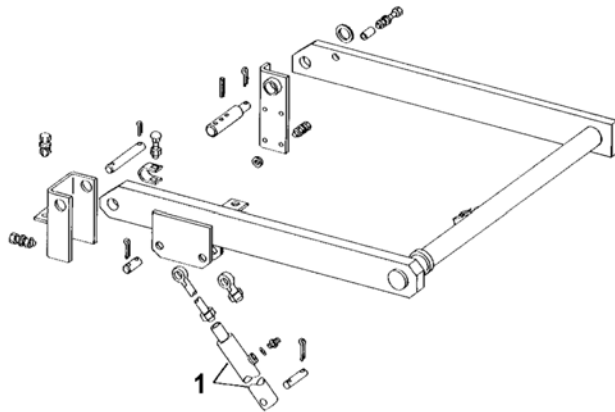
Rear Hood




Illustrated: 9970

	Application	No.	Part Number	Description	Price	Core
	9960, 9965, 9970 - Conventional, Inline, Pro 12, Pro 16	1	AMAN193718	Rear Hood, Right Hand	\$ 150.00	
	9960, 9965, 9970 - Conventional, Inline, Pro 12, Pro 16	2	AMAN274634	Rear Hood, Left Hand Replaces AN193719	\$ 150.00	

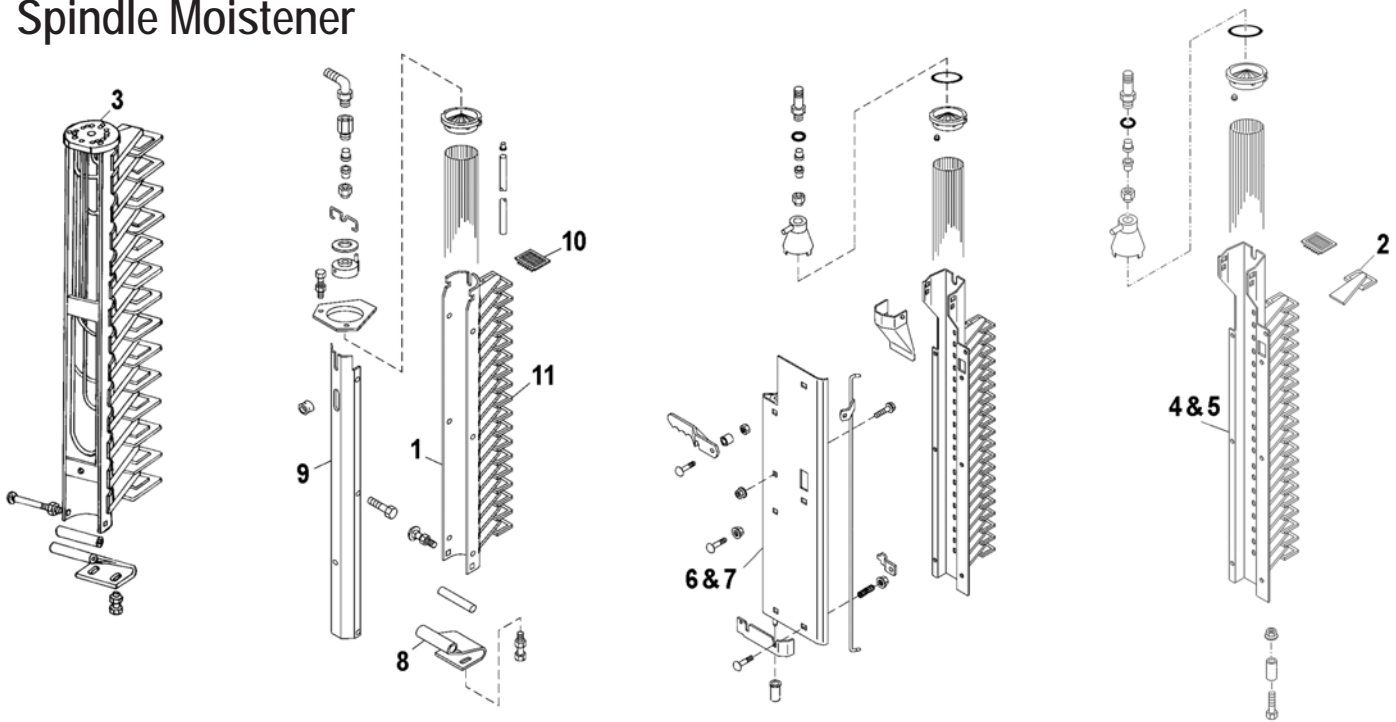
Unit Lift Cylinder








Illustrated: 9900



	Application	No.	Part Number	Description	Price	Core
	484, 7440, 7445, 7450, 9900, 9910, 9920, 9930 - Conventional	1	AMAN113812	Unit Lift Cylinder Rod Replaces N117464	\$ 36.29	

Spindle Moistener



Illustrated: (left to right) 9900, 9935 Inline BSN 2000, 9976, 9996

Assembly	Application	Part Number	Description	Price	Core	
	7660, 7760, 9970, 9976, 9986, 9996, CP690 - Pro 12	AMX54000	Moistener Column Assembly	\$ 5.00		
	7660, 7760, 9970, 9976, 9986, 9996, CP690 - Pro 16	AMX54001	Moistener Column Assembly	\$ 825.00		
	9900, 9910, 9920, 9930 - Conventional	AMAN33082A	Reman Moistener Column Assembly, Low Drum	\$ 285.00	\$ 50.00	
Parts	Application	No.	Part Number	Description	Price	Core
	7660, 7760, 9935, 9970, 9976, 9986, 9996, CP690 - Pro 12, Pro 16	2	AMAN273816	Moistener Column Holder	\$ 10.00	
	9900, 9910, 9920, 9930, 9940, 9950 - Conventional	3	AMAN33083	Moistener Column Post, High Drum w/o Pads	\$ 300.00	
	7660, 7760, 9935, 9970, 9976, 9986, 9996, CP690 - Pro 12	4	AMAN279610	Moistener Column Post, Extra HD	\$ 388.00	
	9935, 9976, 9986, 9996 - Pro 16	6	AMAN273517	Moistener Column Support	\$ 150.00	
	7660, 7760, 9935, 9970, 9976, 9986, 9996, CP690 - Pro 16	7	AMAN274660	Moistener Column Support	\$ 125.00	
	9900, 9910, 9920, 9930, 9935, 9940, 9950, 9960, 9965 - Conventional, Inline	8	AMN195655	Moistener Column Base	\$ 25.00	

Parts	Application	No.	Part Number	Description	Price	Core
	9935, 9960, 9965 - Inline	9	AMN273738	Moistener Channel Replaces N198776	\$ 50.00	
	7660, 7760, 9910, 9920, 9930, 9935, 9960, 9965, 9970, 9976, 9986, 9996, CP690 - Conventional, Inline, Pro 12, Pro 16	10	AMN275607	Moistener Pad, Poly	\$ 1.30	

John Deere® — Water System

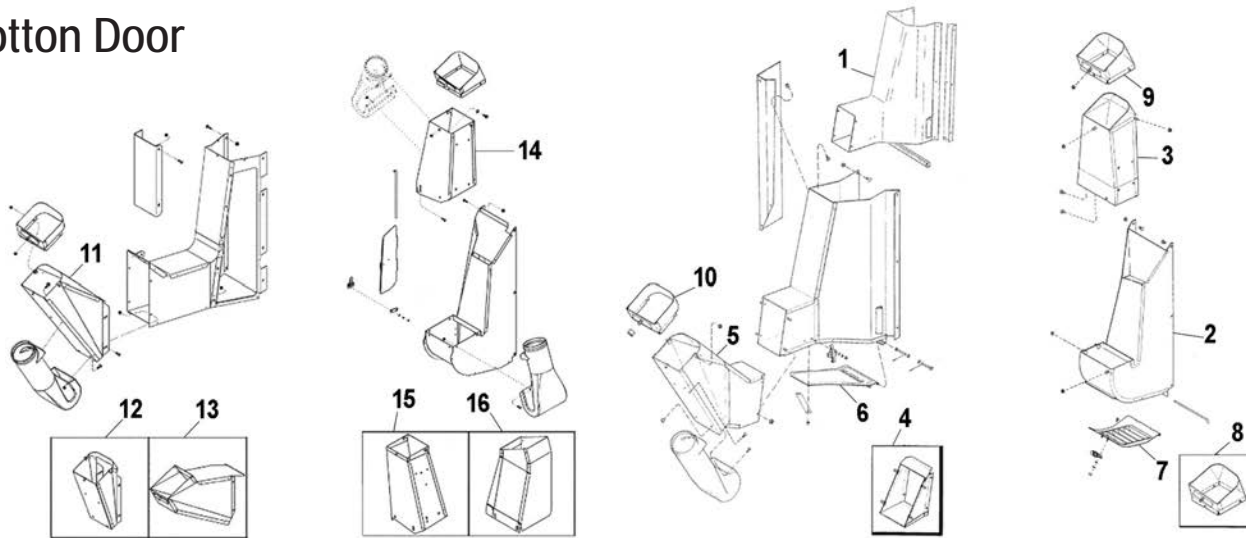
The use of original equipment manufacturer (OEM) part numbers or trademarks, e.g. Case® and John Deere®, are for reference purposes only and for indicating product use and compatibility. Our company and the listed replacement parts contained herein are not sponsored, approved or manufactured by the OEM. All parts are New unless designated Reman in the description. For warranty terms and conditions and store operating policies, refer to our main replacement parts catalog.

Belts and Components

No Illustration Available

Application	Part Number	Description	Price	Core
7760, CP690, Cotton Stripper: CS690	AMAN373217	Belt 7.00" x 711.88", Lacing Pre-Installed Includes Lacing Pin	\$ 595.00	
7760, CP690, Cotton Stripper: CS690	AMAKK23004	Belt 8.74" x 717.91", Lacing Pre-Installed Includes Lacing Pin Replaces AN373216, AKK373216	\$ 725.00	
7760, CP690, Cotton Stripper: CS690	AMAN375051	Belt, Repair Section 7.00" Long	\$ 70.00	
7760, CP690, Cotton Stripper: CS690	AMAN375050	Belt, Repair Section 8.70" Long	\$ 85.00	
7760, CP690, Cotton Stripper: CS690	AMAN400379	Belt Clip Splice Plate, 17 Segments Replaces 411145902	\$ 19.00	
7760, CP690, Cotton Stripper: CS690	AMAE53298	Belt Clip Splice Plate, 14 Segment 7" Long Replaces 411295862	\$ 12.00	
7760, CP690, Cotton Stripper: CS690	AM411296930	Lacing Pin Notched Spring Steel 7.87" Long	\$ 5.00	
7760, CP690, Cotton Stripper: CS690	AM411295930	Lacing Pin Notched Spring Steel 7.87" Long	\$ 3.80	

Cotton Door



Illustrated: (left to right) 420 (Front), 420 (Rear), 2555 (Front), 2555 (Rear)

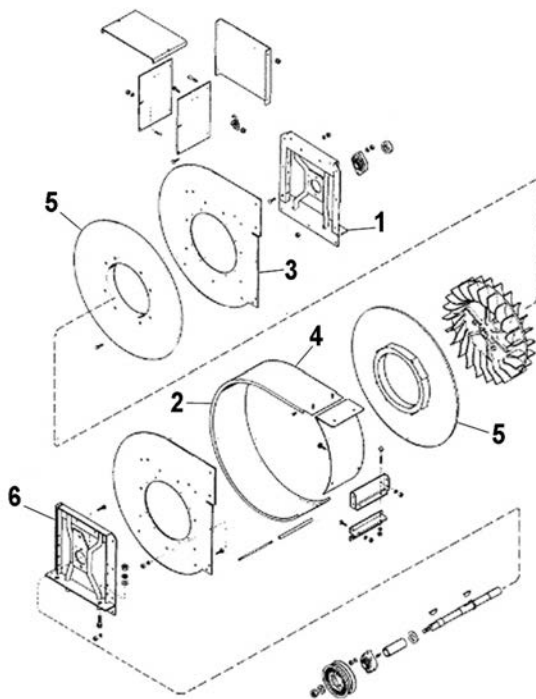
Application	No.	Part Number	Description	Price	Core
2055, 2155, 2555	1	AM193133A1	Front Drum Outlet	\$ 450.00	
2055, 2155, 2555	2	AM182305A1	Rear Drum Outlet	\$ 450.00	
2055, 2155, 2555	3	AM118747A2	Rear Drum Outlet Extension	\$ 127.00	
2055, 2155, 2555	3	AM1988640C1	Rear Drum Outlet Extension	\$ 145.00	
2055, 2155, 2555	3	AM1988655C2	Rear Drum Outlet Extension	\$ 145.00	
2055, 2155, 2555	4	AM1988707C2	Front Drum Outlet Connector	\$ 130.00	
420, 620, 625, 2055, 2155, 2555, CPX420, CPX610, CPX620	5	AM1349927C2	Front Drum Outlet	\$ 225.00	
420, 620, 625, 2055, 2155, 2555, CPX420, CPX610, CPX620	6	AM1349891C4	Front Drum Outlet Access Door	\$ 65.00	
420, 620, 625, 635, 2055, 2155, 2555, CPX420, CPX610, CPX620	7	AM119753A1	Rear Drum Outlet Access Door	\$ 80.00	
420, 620, 625, 2055, 2155, 2555, CPX420, CPX610, CPX620	8	AM1545953C1	Drum Outlet Transition	\$ 80.00	
420, 620, 625, 635, 2055, 2155, 2555, CPX420, CPX610, CPX620	9	AM1990497C1	Rear Drum Outlet Transition	\$ 76.00	
420, 620, 625, 2055, 2155, 2555, CPX420, CPX610, CPX620	10	AM1546036C1	Drum Outlet Adapter	\$ 80.00	
420, 620, 625, 2555, CPX420, CPX610, CPX620	11	AM281769A2	Front Drum Outlet	\$ 225.00	
420, 620, 625, 2555, CPX420, CPX610, CPX620	12	AM282308A3	Front Drum Outlet	\$ 225.00	
420, 620, 625, 2555, CPX420, CPX610, CPX620	13	AM282872A1	Front Drum Outlet	\$ 225.00	
420, 620, 625, 2555, CPX420, CPX610, CPX620	14	AM283750A4	Rear Drum Outlet	\$ 76.00	
420, 620, 625, 2555, CPX420, CPX610, CPX620	15	AM283755A3	Rear Drum Outlet	\$ 135.00	

Case IH® — Air System

The use of original equipment manufacturer (OEM) part numbers or trademarks, e.g. Case® and John Deere®, are for reference purposes only and for indicating product use and compatibility. Otur company and the listed replacement parts contained herein are not sponsored, approved or manufactured by the OEM. All parts are New unless designated Reman in the description. For warranty terms and conditions and store operating policies, refer to our main replacement parts catalog.




Application	No.	Part Number	Description	Price	Core
420, 620, 625, 2555, CPX420, CPX610, CPX620	16	AM338756A1	Rear Drum Outlet	\$ 135.00	
420, 2055, 2155, 2555, CPX420	NI	AM1546039C1	Front Drum Outlet Transition	\$ 80.00	
2055, 2155, 2555	NI	AM1988712C2	Front Drum Outlet Extension	\$ 225.00	

Fan Housing



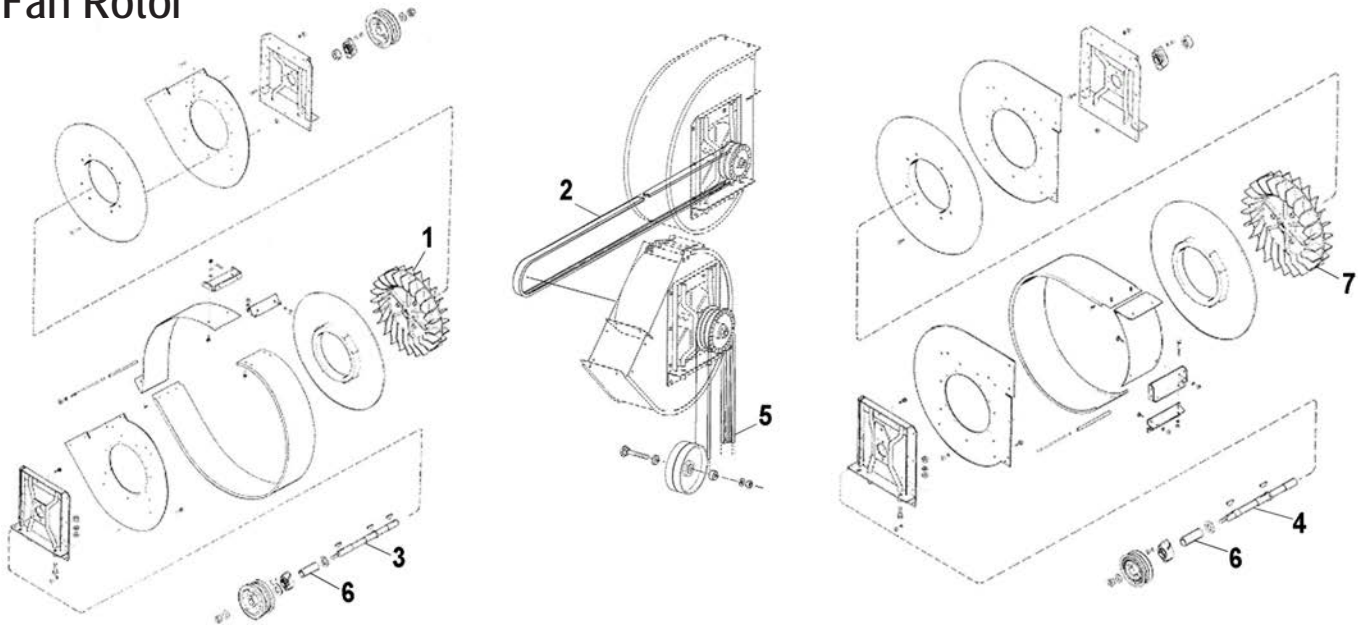
Illustrated: 2044 11/1990 and Later

Assembly	Application	Part Number	Description	Price	Core
	1822, 1844, 2022, 2044, 2055, 2155, 2555 BSN 499	AM1345030C1	Front Fan Assembly	\$ 1350.00	
		AM08200	Front Fan Bolt Kit	\$ 50.00	
		AM08400	Rear Fan Bolt Kit	\$ 50.00	




Parts	Application	No.	Part Number	Description	Price	Core
	1800, 1822, 1844, 2022, 2044, 2055, 2155, 2555 BSN 499	1	AM1260120C4	Front/Rear Fan Bearing Side Support	\$ 135.00	
	420, 620, 625, 635, 1822, 1844, 2022, 2044, 2055, 2155, 2555, CPX420, CPX610, CPX620	3	AM1260067C1	Front Fan Side Panel	\$ 45.00	
	420, 620, 625, 635, 1800, 1822, 1844, 2022, 2044, 2055, 2155, 2555, CPX420, CPX610, CPX620	4	AM204416C1	Housing Cover, Under Shroud	\$ 35.00	
	1822, 1844, 2022, 2044, 2055, 2155, 2555 BSN 499	6	AM1338329C2	Front Fan Bearing Side Support	\$ 120.00	
	420, 620, 625, 635, 2555 ASN 500, CPX420, CPX610, CPX620	NI	AM243038A2	Side Support	\$ 225.00	

Parts	Application	No.	Part Number	Description	Price	Core
	625, 635, 2555 Late, CPX420, CPX610, CPX620	NI	AM87403361	Front Side Support	\$ 215.00	

Fan Rotor




Illustrated: (left to right) 2555 (Rear), 2555 (Fan Drive), 2555 (Front) - All BSN JJC0249499

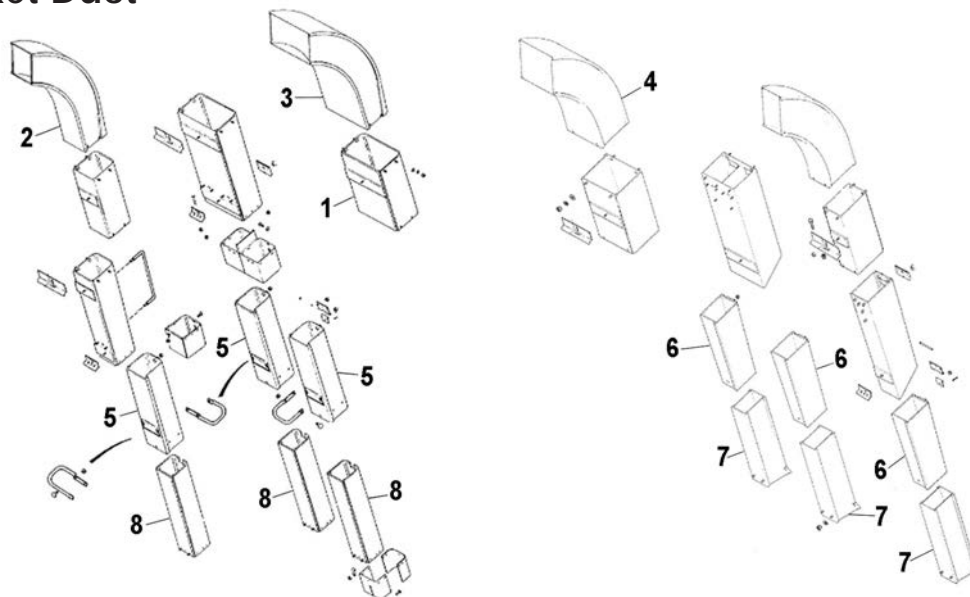
	Application	No.	Part Number	Description	Price	Core
	1800, 1822, 1844, 2022, 2044, 2055, 2155, 2555 BSN 499	1	AM1260010C1	Fan Blade	\$ 445.00	
	420, 620, 625, 1844 ASN JJC002462, 2044, 2055, 2155, 2555, CPX420, CPX610, CPX620	2	AM1338328C1	Fan Drive Belt, Front	\$ 78.00	
	625, 635, 2555 Late, CPX420, CPX610, CPX620	3	AM405117A2	Rear Fan Shaft	\$ 175.00	
	1822, 1844, 2022, 2044, 2055, 2155, 2555 BSN 499	4	AM1260070C5	Front Fan Shaft	\$ 115.00	
	2055, 2155, 2555, CPX420, CPX610, CPX620	5	AM1546117C2	Fan Drive Belt	\$ 119.00	
	1822, 1844, 2022, 2044, 2055, 2155, 2555 BSN 499	6	AM1260073C2	Fan Shaft Spacer	\$ 20.00	
	420, 620, 625, 635, 2555 ASN 500, CPX420, CPX610, CPX620	7	AM243041A1	Fan Blade	\$ 525.00	
	420, 620, 625, 635, 2555 ASN 500, CPX420, CPX610, CPX620	NI	AM242834A2	Front/Rear Bearing Assembly	\$ 120.00	
	420, 620, 625, 635, 2555 ASN 500, CPX420, CPX610, CPX620	NI	AM243037A1	Shaft Spacer	\$ 25.00	

Case IH® — Air System

The use of original equipment manufacturer (OEM) part numbers or trademarks, e.g. Case® and John Deere®, are for reference purposes only and for indicating product use and compatibility. Our company and the listed replacement parts contained herein are not sponsored, approved or manufactured by the OEM. All parts are New unless designated Reman in the description. For warranty terms and conditions and store operating policies, refer to our main replacement parts catalog.

Application	No.	Part Number	Description	Price	Core
625, 635, 2555 Late, CPX420, CPX610, CPX620	NI	AM449301A2	Front Fan Shaft	\$ 175.00	
1822, 1844, 2022, 2044, 2055, 2155, 2555 BSN 499	NI	AM1263058C91	Rear Fan Drive Bearing Includes Housing and Locking Collar	\$ 50.00	
 420, 2555, CPX420, CPX610, CPX620 BSN Y6T0117	NI	AM1546117C2	Fan Drive Belt, Rear	\$ 119.00	

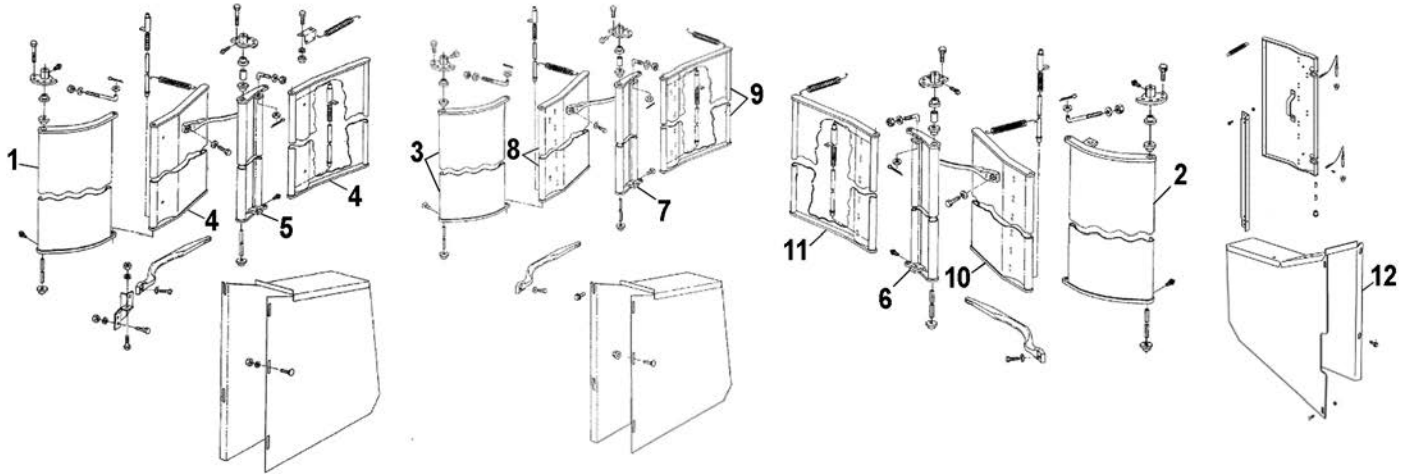
Unit to Basket Duct













Illustrated: 2155 (Outer), 2155 (Center) - Both 02/1995 and Later

Application	No.	Part Number	Description	Price	Core
2055, 2155	1	AM127887A1	Air Duct Extension, Double	\$ 135.00	
2055, 2155	2	AM1349825C1	Air Duct, Upper Outer	\$ 225.00	
2055, 2155	3	AM1349829C1	Air Duct, Upper Outer	\$ 225.00	
2055, 2155	4	AM1349832C2	Air Duct, Double Center	\$ 225.00	
420, 620, 625, 635, 2055, 2155, 2555, CPX420, CPX610, CPX620	5	AM1984139C3	Air Duct, Middle Outer	\$ 140.00	
420, 620, 625, 2055, 2155, 2555, CPX420, CPX610, CPX620	6	AM1349938C1	Air Duct, Center	\$ 80.00	
420, 620, 625, 2055, 2155, 2555, CPX420, CPX610, CPX620	7	AM1349934C3	Air Duct, Lower Center	\$ 80.00	
420, 620, 625, 635, 2055, 2155, 2555, CPX420, CPX610, CPX620	8	AM1349803C1	Air Duct, Lower Outer	\$ 80.00	

Drum Pressure Plate



Illustrated: (left to right) 1822 ASN JJC0012691, 2044 11/1990 and Later, CPX610 BSN JJC0250100, CPX610 ASN JJC0250100


	Application	No.	Part Number	Description	Price	Core
	1822, 1844	1	AM216527C1	Front Plant Compressor, Right Hand	\$ 135.00	
			AM216526C1	Front Plant Compressor, Left Hand	\$ 135.00	
	2022, 2044, 2055, 2155, 2555, CPX610 BSN JJC0250100	2	AM1546337C2	Front Plant Compressor, Right Hand	\$ 135.00	
	2022, 2044	3	AM1546336C2	Front Plant Compressor, Left Hand	\$ 128.00	
	1822, 1844	4	AM216532C1	Plant Compressor Extension	\$ 115.00	
	1822, 1844	5	AM1266247C1	Rear Plant Compressor, Right Hand	\$ 125.00	
			AM1278399C1	Rear Plant Compressor, Left Hand	\$ 125.00	
	2022, 2044, 2055, 2155, 2555, CPX610 BSN JJC0250100	6	AM1546345C2	Rear Plant Compressor, Right Hand	\$ 120.00	
	2022, 2044	7	AM1546344C2	Rear Plant Compressor, Left Hand	\$ 125.00	
	2022, 2044	8	AM1982710C2	Front Plant Compressor	\$ 145.00	
	2022, 2044	9	AM1982711C2	Rear Plant Compressor	\$ 125.00	
	2022, 2044, 2055, 2155, 2555, CPX610 BSN JJC0250100	10	AM1546340C1	Front Plant Compressor Extension	\$ 140.00	
	2022, 2044, 2055, 2155, 2555, CPX610 BSN JJC0250100	11	AM1546348C1	Rear Plant Compressor Extension	\$ 185.00	
	2055, 2155, 2555, CPX420, CPX610	12	AM1988622C3	Plant Compressor Guard	\$ 130.00	

Case IH® — Picking Unit Cabinet

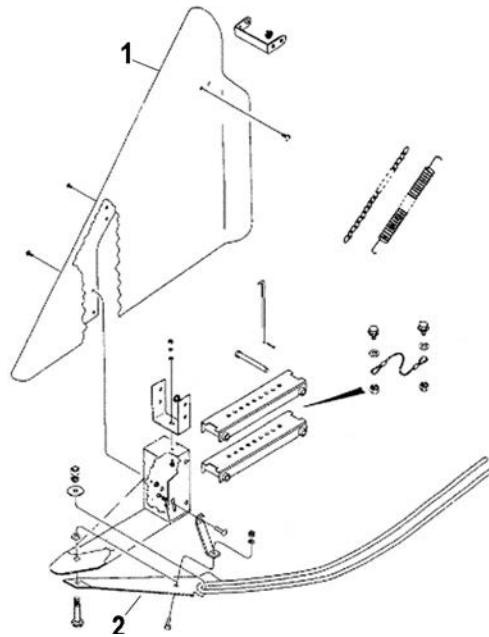
The use of original equipment manufacturer (OEM) part numbers or trademarks, e.g. Case® and John Deere®, are for reference purposes only and for indicating product use and compatibility. Otur company and the listed replacement parts contained herein are not sponsored, approved or manufactured by the OEM. All parts are New unless designated Reman in the description. For warranty terms and conditions and store operating policies, refer to our main replacement parts catalog.

Grid Bars and Support


No Illustration Available

	Application	Part Number	Description	Price	Core
	420, 620, 625, 635, 1822, 1844, 2022, 2044,	AM216829C2	Grid Bar Slat, Right Hand	\$ 20.00	
	2055, 2155, 2555, CPX420, CPX610, CPX620	AM216828C2	Grid Bar Slat, Left Hand	\$ 5.99	

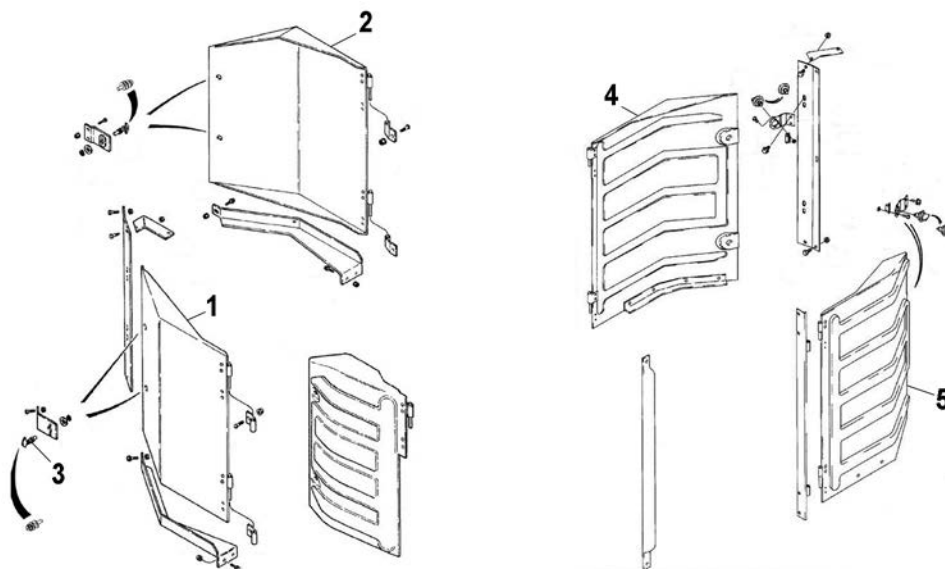
Stalk Lifter



Illustrated: 2022 (RH) ASN JJC13600

	Application	No.	Part Number	Description	Price	Core
	420, 620, 625, 635, 1822, 1844, 2022,	1	AM126347A2	Stalk Lifter Shield, Metal, Right Hand	\$ 95.00	
	2044, 2055, 2155, 2555, CPX420,		AM126348A2	Stalk Lifter Shield, Metal, Left Hand	\$ 95.00	
	420, 620, 625, 635, 1822, 1844, 2022,	2	AM216970C4	Skid Plate, Right Hand	\$ 22.00	
	2044, 2055, 2155, 2555, CPX420,		AM216969C4	Skid Plate, Left Hand	\$ 22.00	
	625, 635	NI	AM87638897	Plant Lifter Guide, Bottom	\$ 90.00	
	625, 635	NI	AM87638884	Stalk Lifter Shoe, Right Hand	\$ 145.00	
			AM87638883	Stalk Lifter Shoe, Left Hand	\$ 145.00	

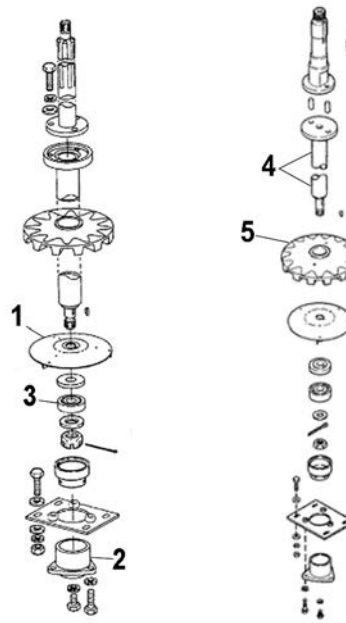
Unit Door








Illustrated: (left to right) 2555 BSN JJ0157149, 2555 ASN JJC0249800

Application	No.	Part Number	Description	Price	Core
1822, 1844, 2022, 2044, 2055, 2155, 2555 BSN 499	1	AM118126A1	Rear Service Door, Plastic	\$ 240.00	
2022, 2044, 2055, 2155	2	AM118129A3	Front Service Door, Plastic	\$ 225.00	
Most Models	3	AM1326408C2	Fastener	\$ 18.00	
625, 635, 2555, CPX420, CPX610, CPX620	4	AM282112A4	Rear Service Door, Plastic	\$ 165.00	
625, 635, 2555, CPX420, CPX610, CPX620	5	AM282110A4	Front Service Door, Plastic	\$ 165.00	

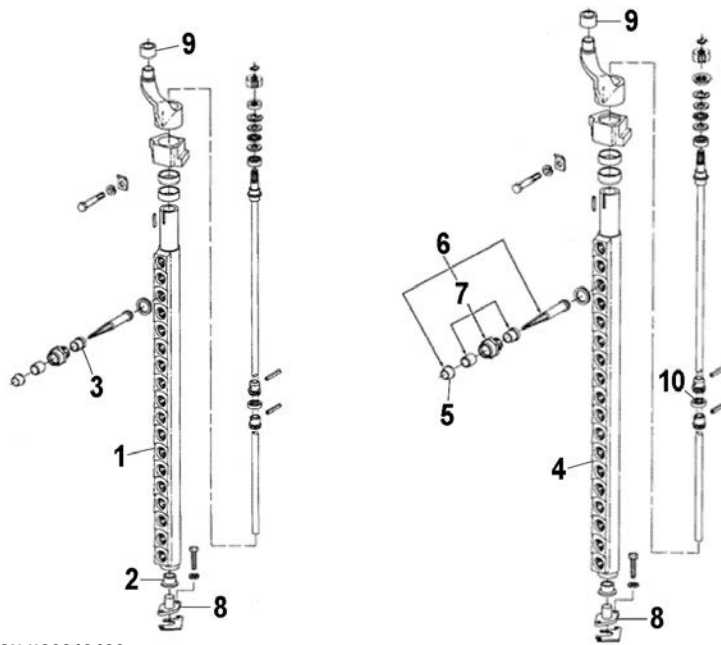
Doffer











Illustrated: 1822 ASN JJC0012691, 2555 BSN JJC0249499

	Application	No.	Part Number	Description	Price	Core
	420, 620, 625, 635, 1822, 1844, 2022, 2044, 2055, 2155, 2555, CPX420, CPX610, CPX620	2	AM669806R2	Lower Doffer Bearing Cage	\$ 32.00	
	420, 620, 625, 635, 1822, 1844, 2022, 2044, 2055, 2155, 2555, CPX420, CPX610, CPX620	3	AM87440726	Lower Doffer Shaft Bearing Replaces 669807R91	\$ 11.50	
	420, 620, 625, 635, 2022, 2044, 2055, 2155, 2555, CPX420, CPX610, CPX620	4	AM1982375C1	Doffer Shaft	\$ 185.00	
	420, 620, 625, 635, 2022, 2044, 2055, 2155, 2555, CPX420, CPX610, CPX620	5	AM383311A1	Large Doffer Pad, Premium	\$ 9.99	
	420, 620, 625, 635, 2022, 2044, 2055, 2155, 2555, CPX420, CPX610, CPX620	NI	AM383429A1	Complete Doffer Assembly, Urethane 18 Spindle Ground and Ready to Install	\$ 465.00	

Picker Bar



Illustrated: 1844 ASN JJC0002462, 2555 BSN JJC0249499

	Application	No.	Part Number	Description	Price	Core
	1822, 1844	1	AM111586A1	Picker Bar, Right Hand	\$ 110.00	
			AM111581A1	Picker Bar, Left Hand Replaces 220324C1	\$ 110.00	
	1800, 1822, 1844, 2022, 2044, 2055	2	AM216552C1	Spindle Bushing, Straight Sold in Pairs	\$ 0.75	
	420, 620, 625, 635, 1822, 1844, 2022, 2044, 2055, 2155, 2555, CPX420, CPX610, CPX620	4	AM1982393C1	Picker Bar, 18 Spindle, Right Hand	\$ 115.00	
			AM1982392C1	Picker Bar, 18 Spindle, Left Hand	\$ 160.00	
	420, 620, 625, 635, 1822, 1844, 2022, 2044, 2055, 2155, 2555, CPX420, CPX610, CPX620	5	AM364607A1	Spindle Dust Cap Replaces 216554C1	\$ 0.70	
	420, 620, 625, 635, 1822, 1844, 2022, 2044, 2055, 2155, 2555, CPX420, CPX610, CPX620	6	AM251396A1	Spindle Assembly, Right Hand	\$ 8.99	
			AM251397A1	Spindle Assembly, Left Hand	\$ 8.99	
	420, 620, 625, 2022, 2044, 2055, 2155, 2555, CPX420, CPX610, CPX620	7	AM364768A1	Spindle Nut Assembly, Right Hand	\$ 3.70	
			AM364767A1	Spindle Nut Assembly, Left Hand	\$ 3.70	
	420, 620, 625, 635, 1822, 1844, 2022, 2044, 2055, 2155, 2555, CPX420, CPX610, CPX620	8	AM214910C2	Bar Pivot Stool	\$ 3.99	
	420, 620, 625, 635, 1822, 1844, 2022, 2044, 2055, 2155, 2555, CPX420, CPX610, CPX620	9	AM86948C1	Bearing, Cam Roller	\$ 10.00	
	420, 620, 625, 635, 1822, 1844, 2022, 2044, 2055, 2155, 2555, CPX420, CPX610, CPX620	10	AM3139062R91	Spindle Drive Shaft Bearing	\$ 2.00	

Case IH® — Picking Unit System

The use of original equipment manufacturer (OEM) part numbers or trademarks, e.g. Case® and John Deere®, are for reference purposes only and for indicating product use and compatibility. Our company and the listed replacement parts contained herein are not sponsored, approved or manufactured by the OEM. All parts are New unless designated Reman in the description. For warranty terms and conditions and store operating policies, refer to our main replacement parts catalog.

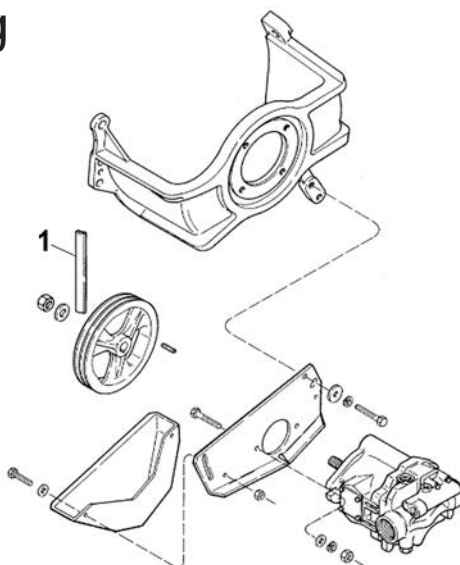
Picker Bar Head

No Illustration Available


Application	No.	Part Number	Description	Price	Core
620, 625, 635, 2022, 2044, 2055, 2155, 2555, CPX620		AM394253A1	Front Cam Track, Right Hand	\$ 315.00	
		AM394252A1	Rear Cam Track, Left Hand	\$ 400.00	
2022, 2044, 2055, 2155, 2555		AM1982350C2	Rear Cam Track, Left Hand	\$ 295.00	

The use of original equipment manufacturer (OEM) part numbers or trademarks, e.g. Case® and John Deere®, are for reference purposes only and for indicating product use and compatibility. Our company and the listed replacement parts contained herein are not sponsored, approved or manufactured by the OEM. All parts are New unless designated Reman in the description. For warranty terms and conditions and store operating policies, refer to our main replacement parts catalog.

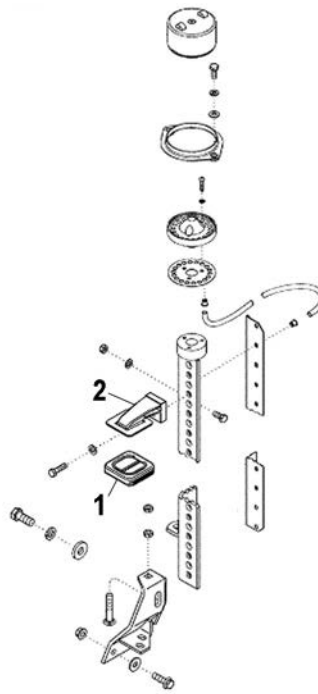
Hydraulic Pump Mounting






Illustrated: 2155 02/1975 and Later

	Application	No.	Part Number	Description	Price	Core
	420, 620, 625, 635, 2055, 2155, 2555, CPX420, CPX610, CPX620	1	AM1546118C1	Auxiliary Pump Drive Belt	\$ 79.00	

Spindle Moistener



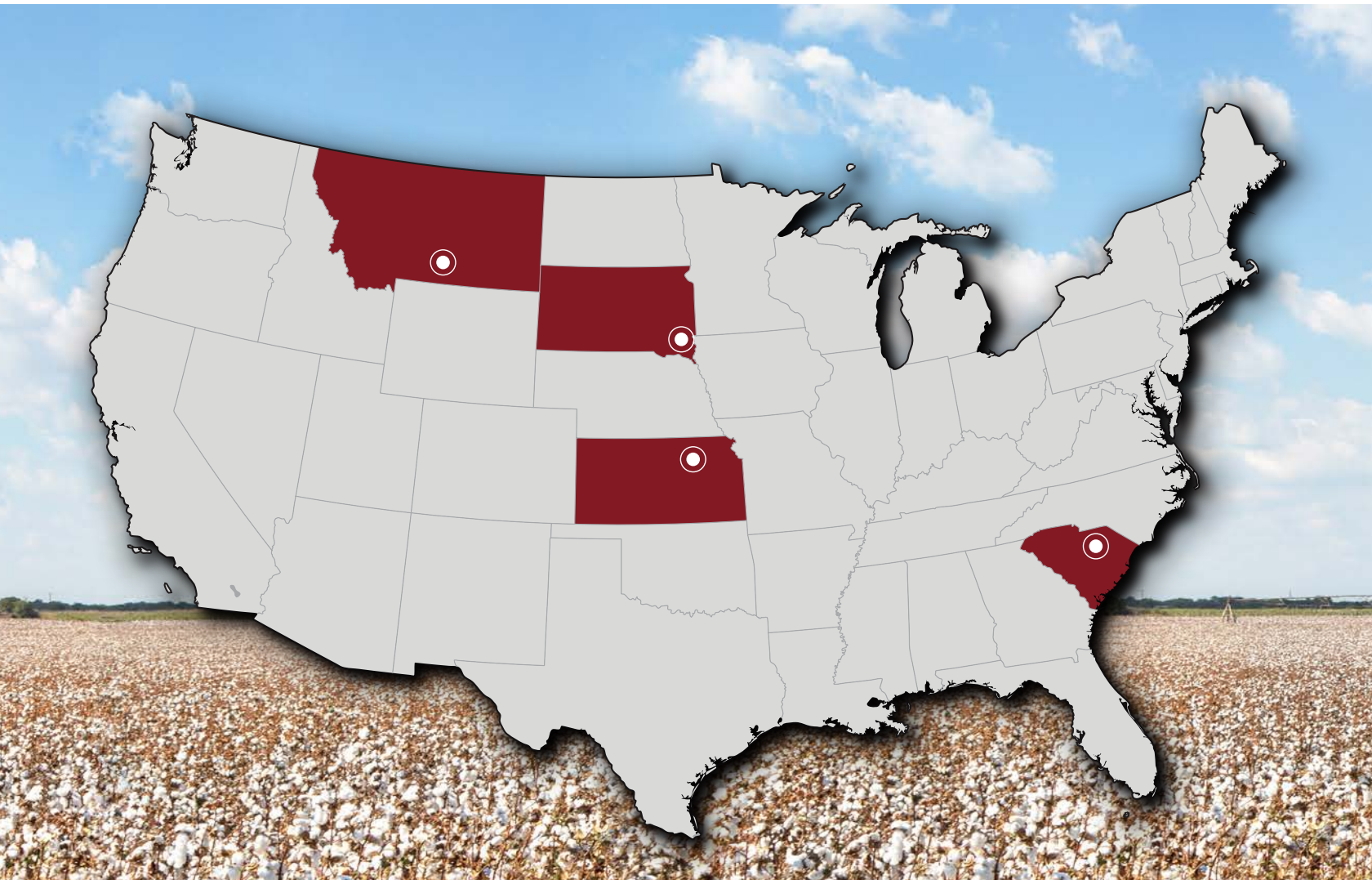
Illustrated: CPX610

	Application	No.	Part Number	Description	Price	Core
	420, 620, 625, 635, 1822, 1844, 2022, 2044, 2055, 2155, 2555, CPX420, CPX610, CPX620	1	AM1338720C2	Moistener Pad, Poly	\$ 1.25	
	420, 620, 625, 635, 2022, 2044, 2055, 2155, 2555, CPX420, CPX610, CPX620	2	AM87410653	Moistener Pad Support	\$ 1.99	
	1822, 1844, 2022, 2044, 2055, 2155	NI	AMX19117	Bartender	\$ 250.00	



Abilene Machine LLC
P.O. Box 129
Abilene, KS 67410
800-255-0337

Honest. **Personal.** Service.



Abilene Machine LLC

Kansas & Montana: 800-255-0337

South Carolina: 800-543-2451

South Dakota: 844-340-4020



AbileneMachine.com



 Follow Abilene Machine on Facebook